

*A.C.E.
School of Tomorrow
Furniture Manual*

for First World Countries

Table of Contents

Learning Center Layout	3-4
Student Office	5-7
Testing Table	8-10
Scoring Station	11-15
Supervisor's Station	16-20
Computer Office	21-24
Optional Scoring Station	25-27
Optional Supervisor's Station ...	28-30
Optional Computer Office	31-34
Optional Student Office	35-38

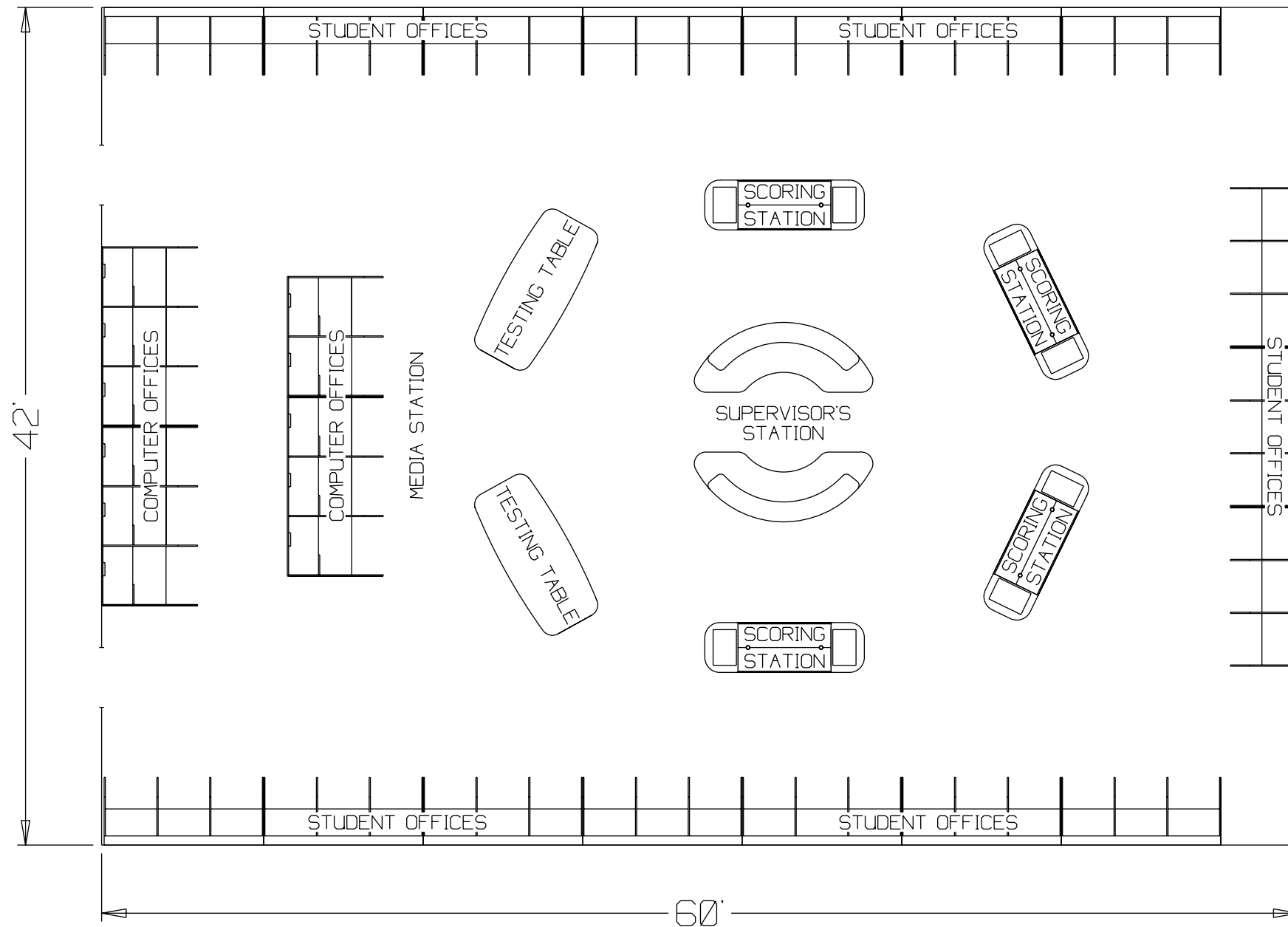


FIGURE A

1997 Revision

© 1995 Accelerated Christian Education, Inc.

All rights reserved. Printed in the United States of America.
 This publication may not be reproduced in whole or in part
 in any form or by any means without permission from
 Accelerated Christian Education, Inc.

ACCELERATED CHRISTIAN EDUCATION
 LEARNING CENTER LAYOUT
 ILLUSTRATIONS

DWG. NO. 0001	REV. 970514-1	SHEET 1 OF 2
------------------	------------------	-----------------

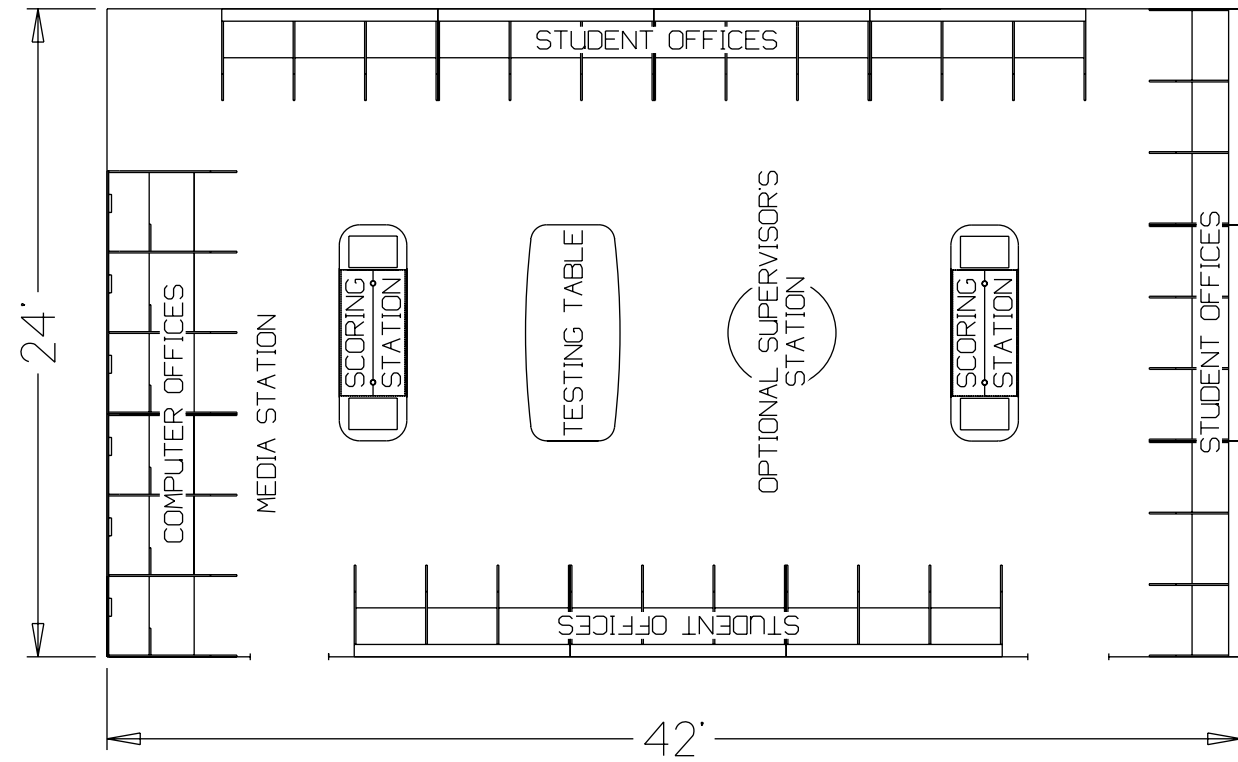


FIGURE C

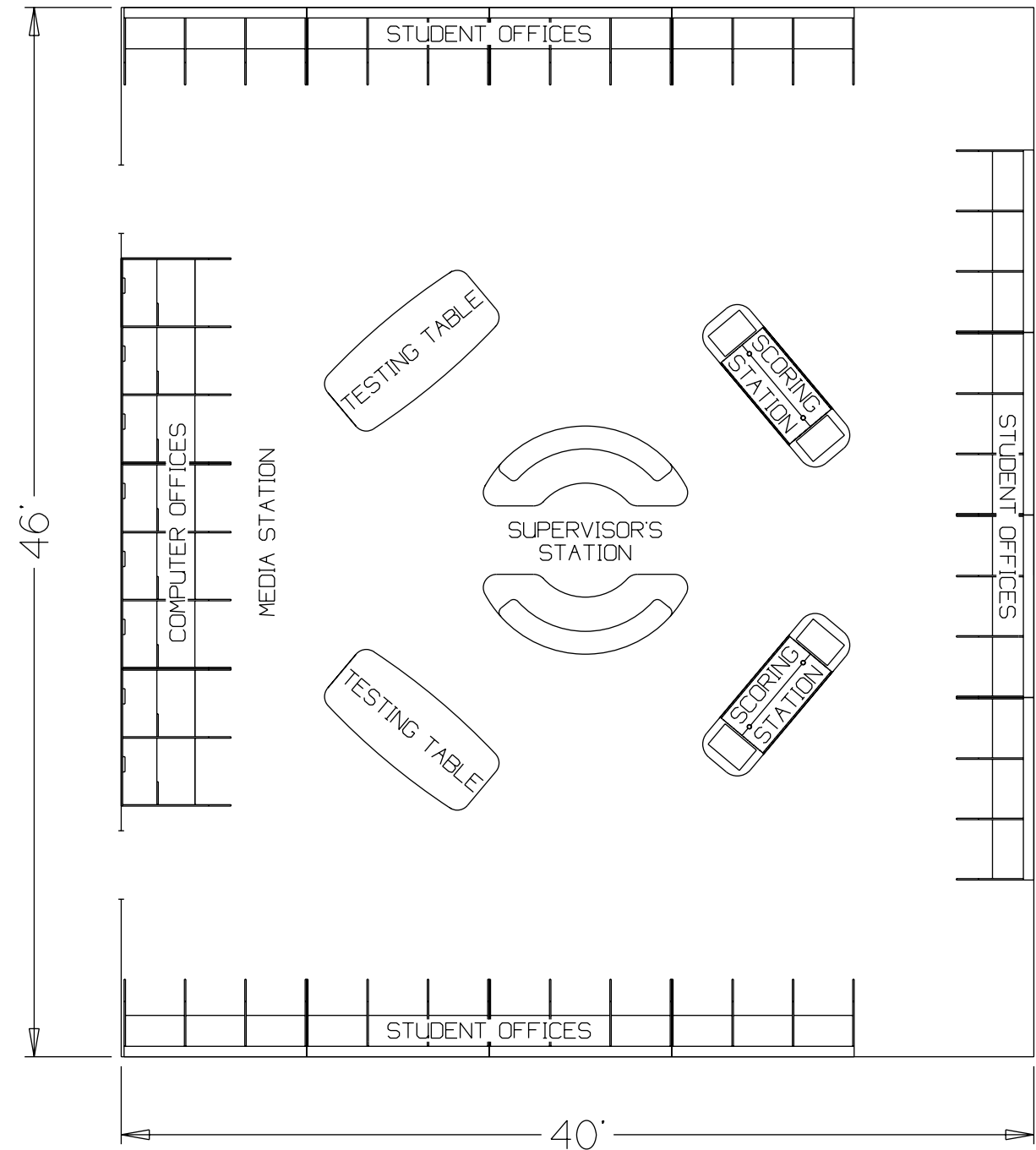


FIGURE B

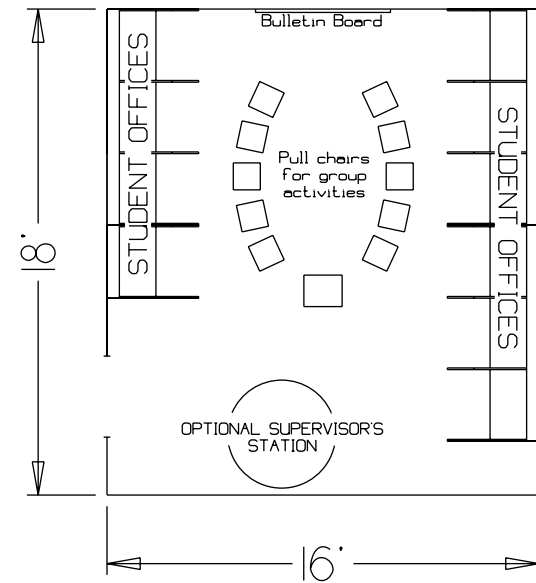


FIGURE D

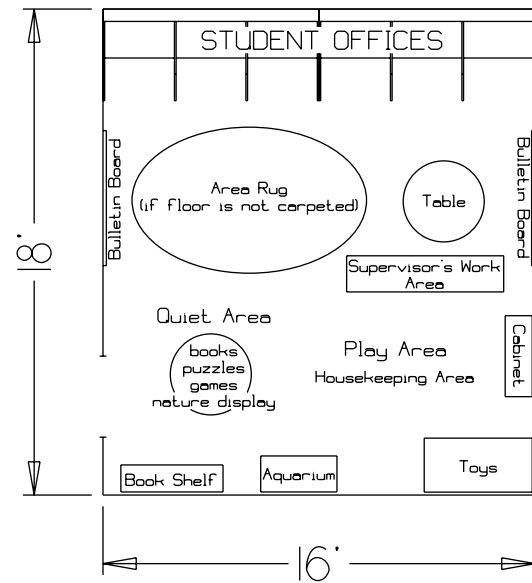
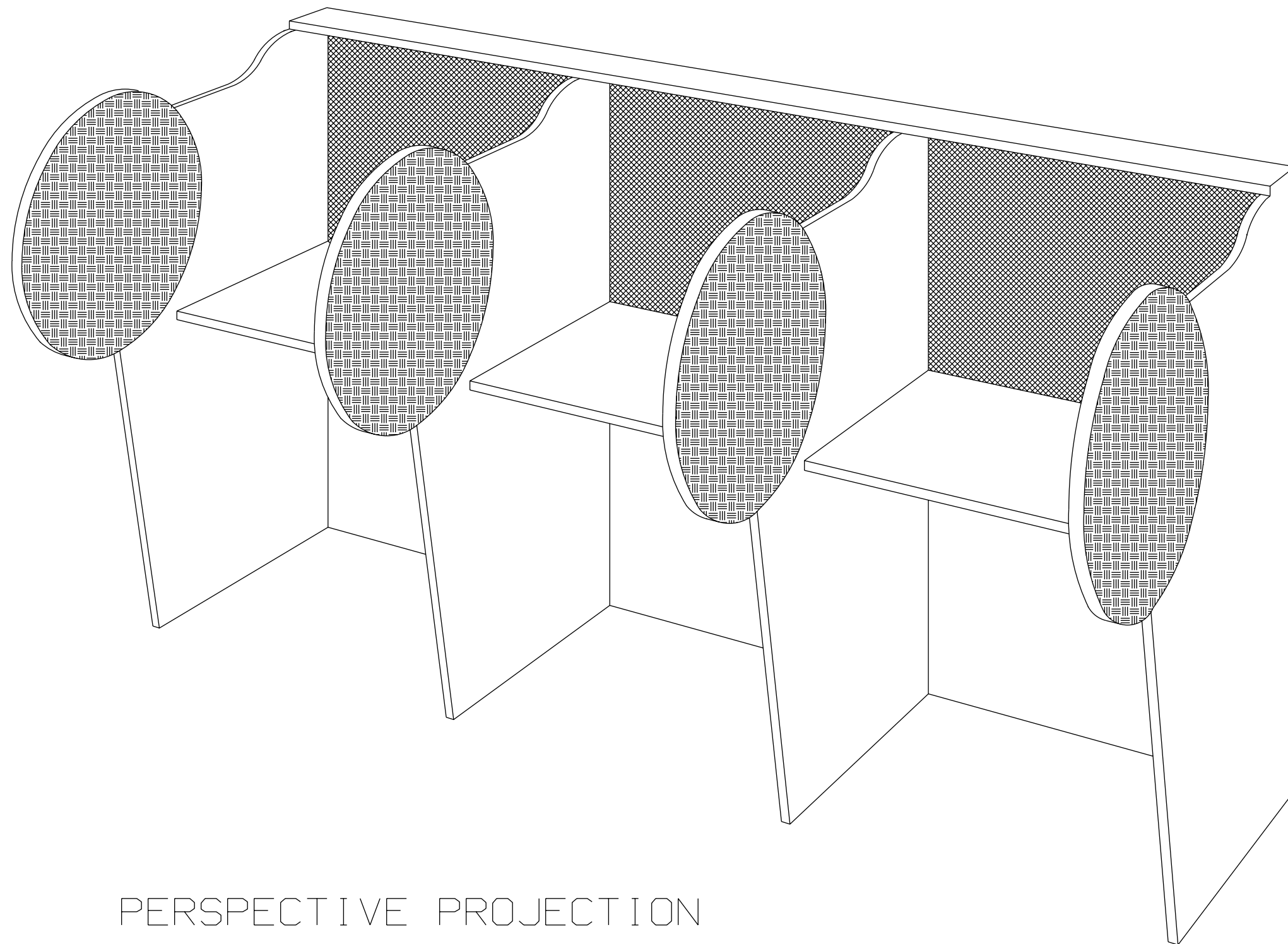


FIGURE E

1997 Revision
 ©1995 Accelerated Christian Education, Inc.
 All rights reserved. Printed in the United States of America.
 This publication may not be reproduced in whole or in part
 in any form or by any means without permission from
 Accelerated Christian Education, Inc.

ACCELERATED CHRISTIAN EDUCATION
 LEARNING CENTER LAYOUT
 ILLUSTRATIONS

DWG. NO. 0001	REV. 970514-2	SHEET 2 OF 2
------------------	------------------	-----------------



PERSPECTIVE PROJECTION

© 1995 Accelerated Christian Education, Inc.

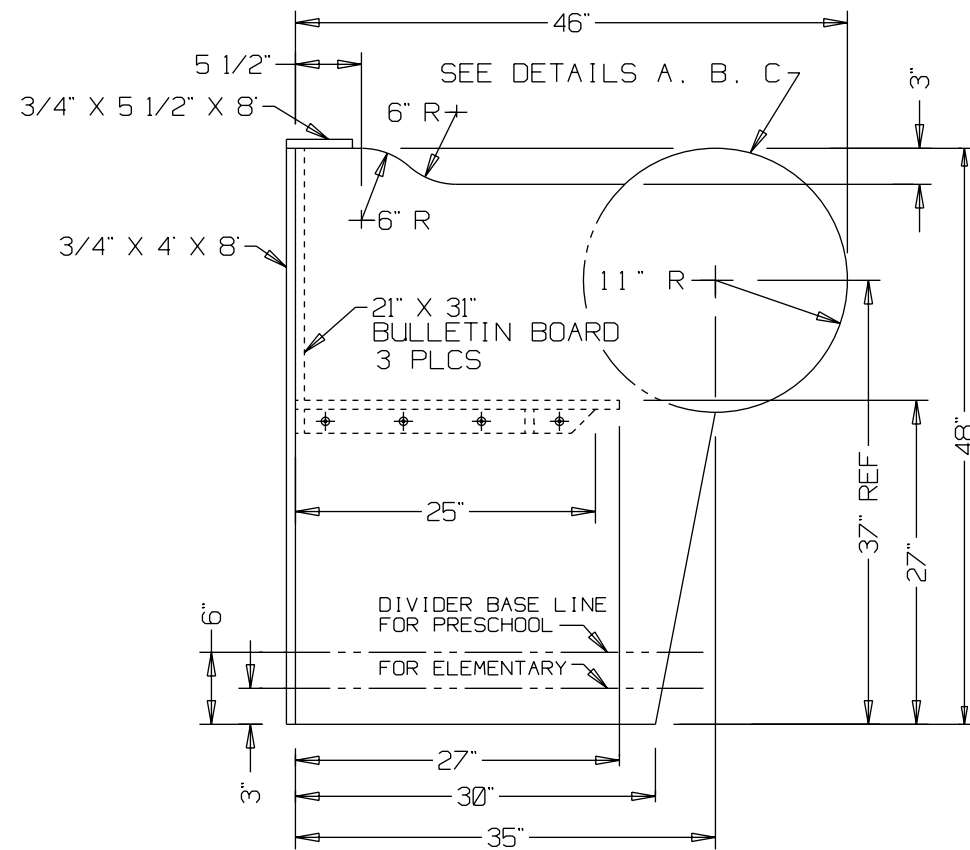
All rights reserved. Printed in the United States of America.
This publication may not be reproduced in whole or in part
in any form or by any means without permission from
Accelerated Christian Education, Inc.

ACCELERATED CHRISTIAN EDUCATION
STUDENT OFFICE

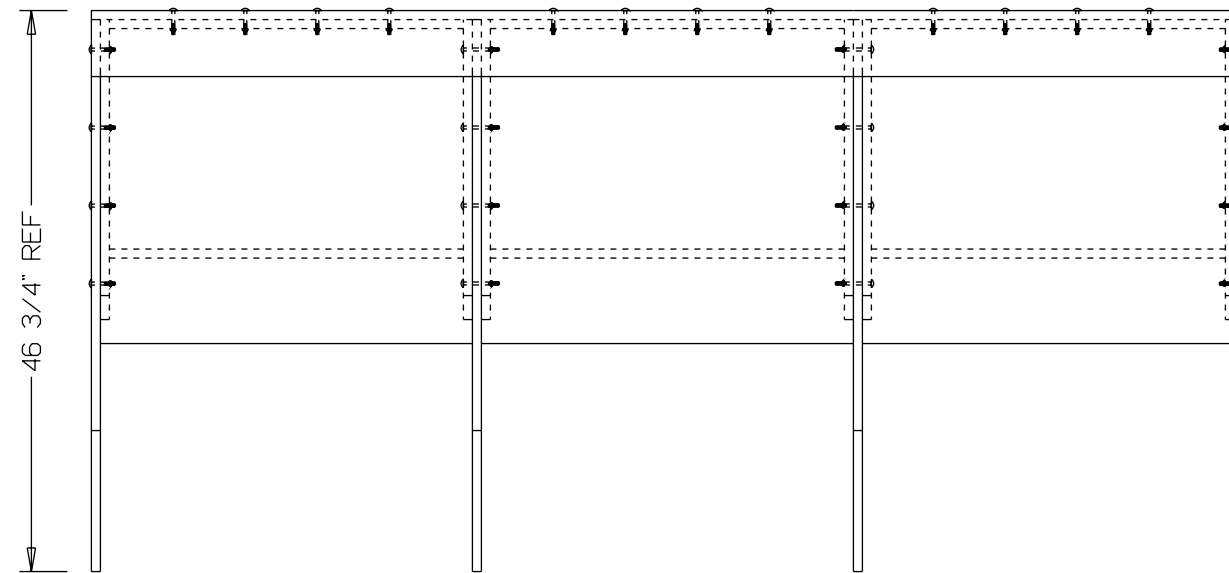
DWG. NO. 0003	REV. 950424-0	SHEET 1 OF 3
------------------	------------------	-----------------

NOTES: UNLESS OTHERWISE SPECIFIED,
FASTEN ALL PARTS WITH
1 1/4" DRYWALL SCREWS

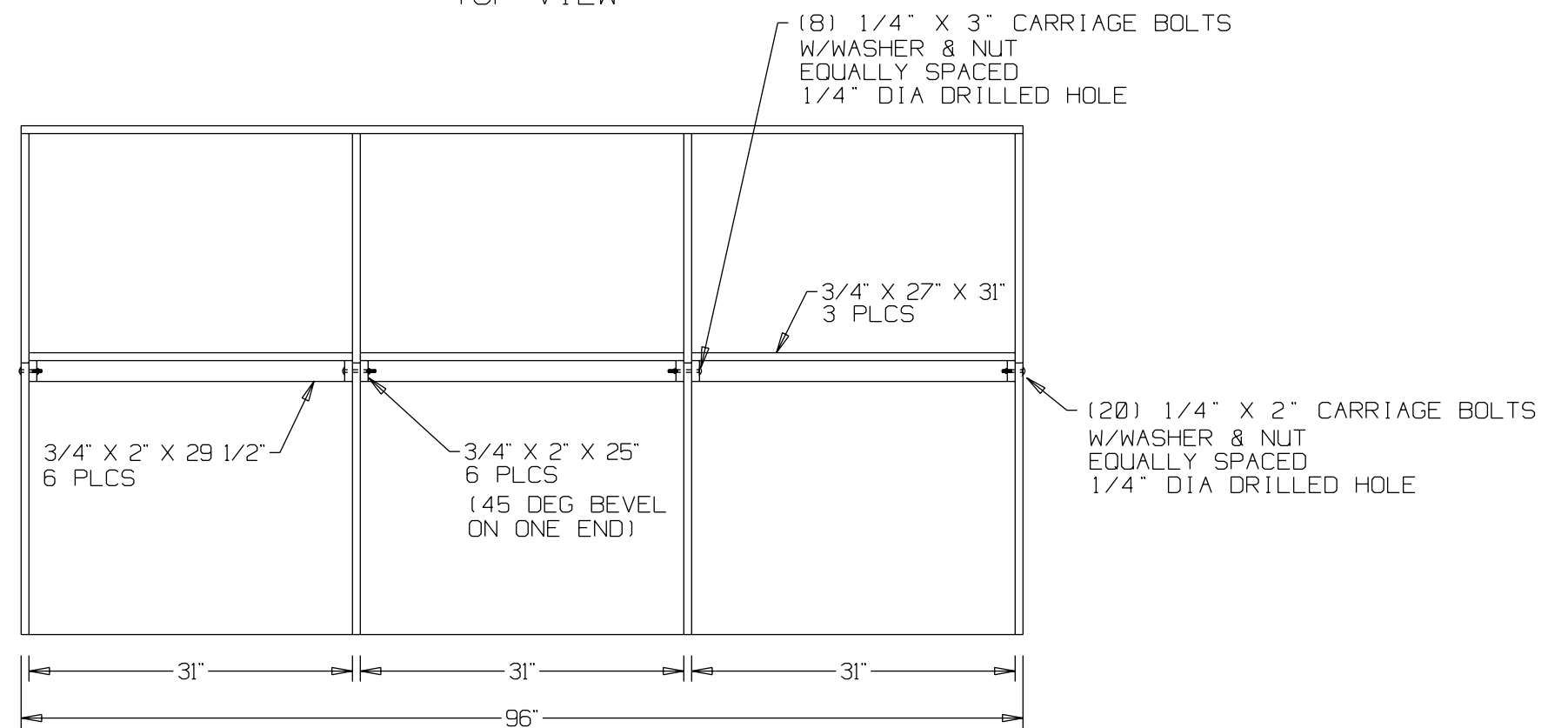
MULTIPURPOSE GLUE SUCH AS
LIQUID NAILS® MAY BE USED ON
ALL JOINTS IF OFFICE WILL
BE PERMANENT



SIDE VIEW



TOP VIEW

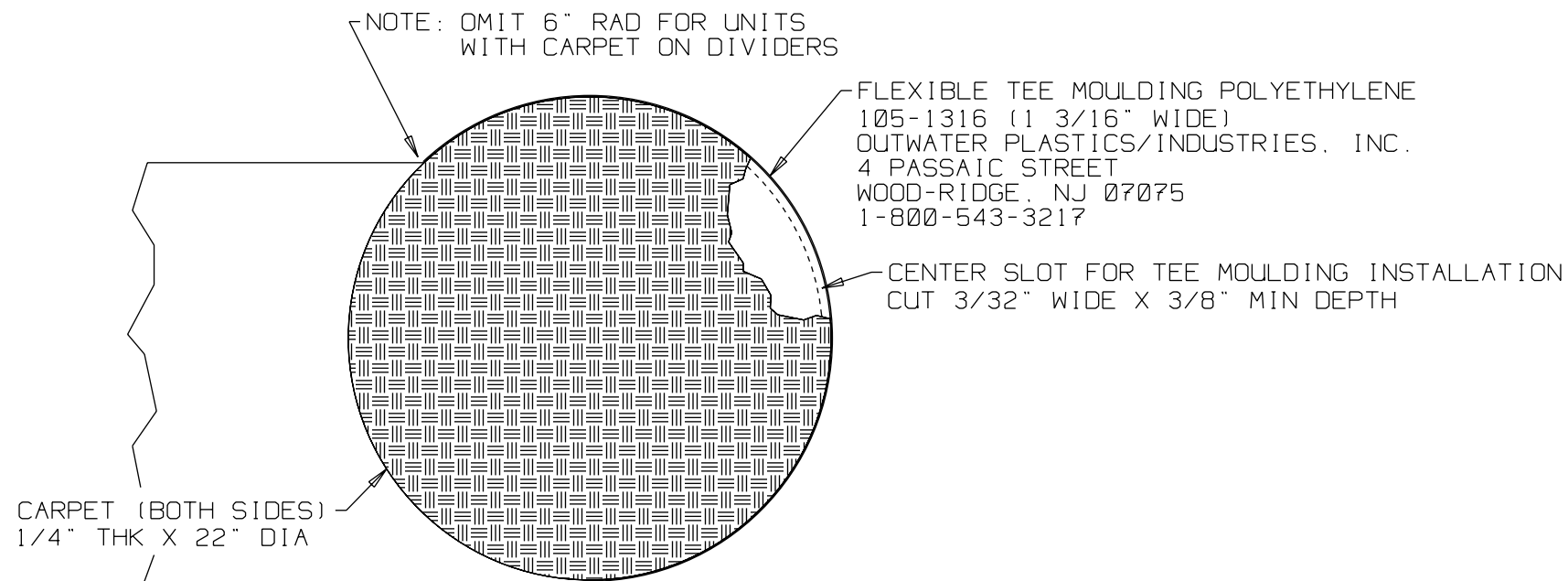


FRONT VIEW

© 1995 Accelerated Christian Education, Inc.
All rights reserved. Printed in the United States of America.
This publication may not be reproduced in whole or in part
in any form or by any means without permission from
Accelerated Christian Education, Inc.

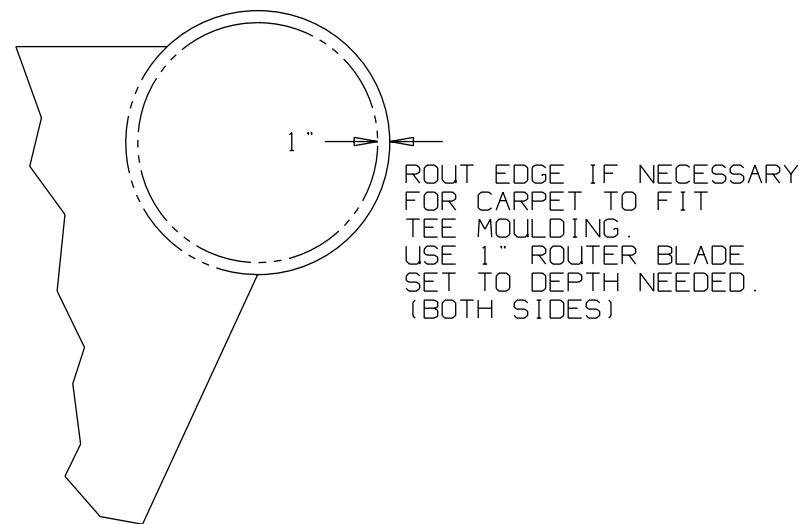
ACCELERATED CHRISTIAN EDUCATION
STUDENT OFFICE

DWG. NO. 0003	REV. 950316-0	SHEET 2 OF 3
------------------	------------------	-----------------



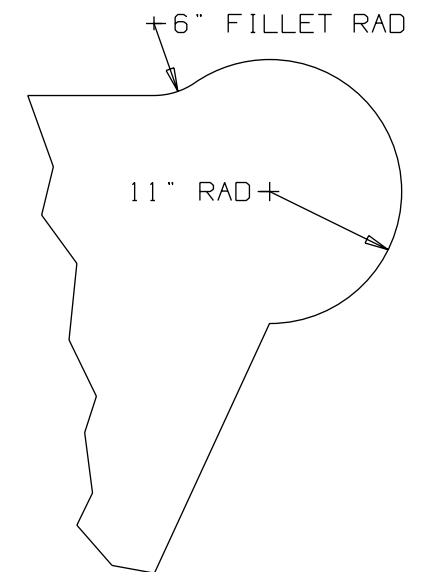
NOTE: USE MULTIPURPOSE GLUE SUCH AS LIQUID NAILS® TO BOND CARPET & MOULDING

DETAIL A



DETAIL B

OPTIONAL DIVIDER WITHOUT CARPET

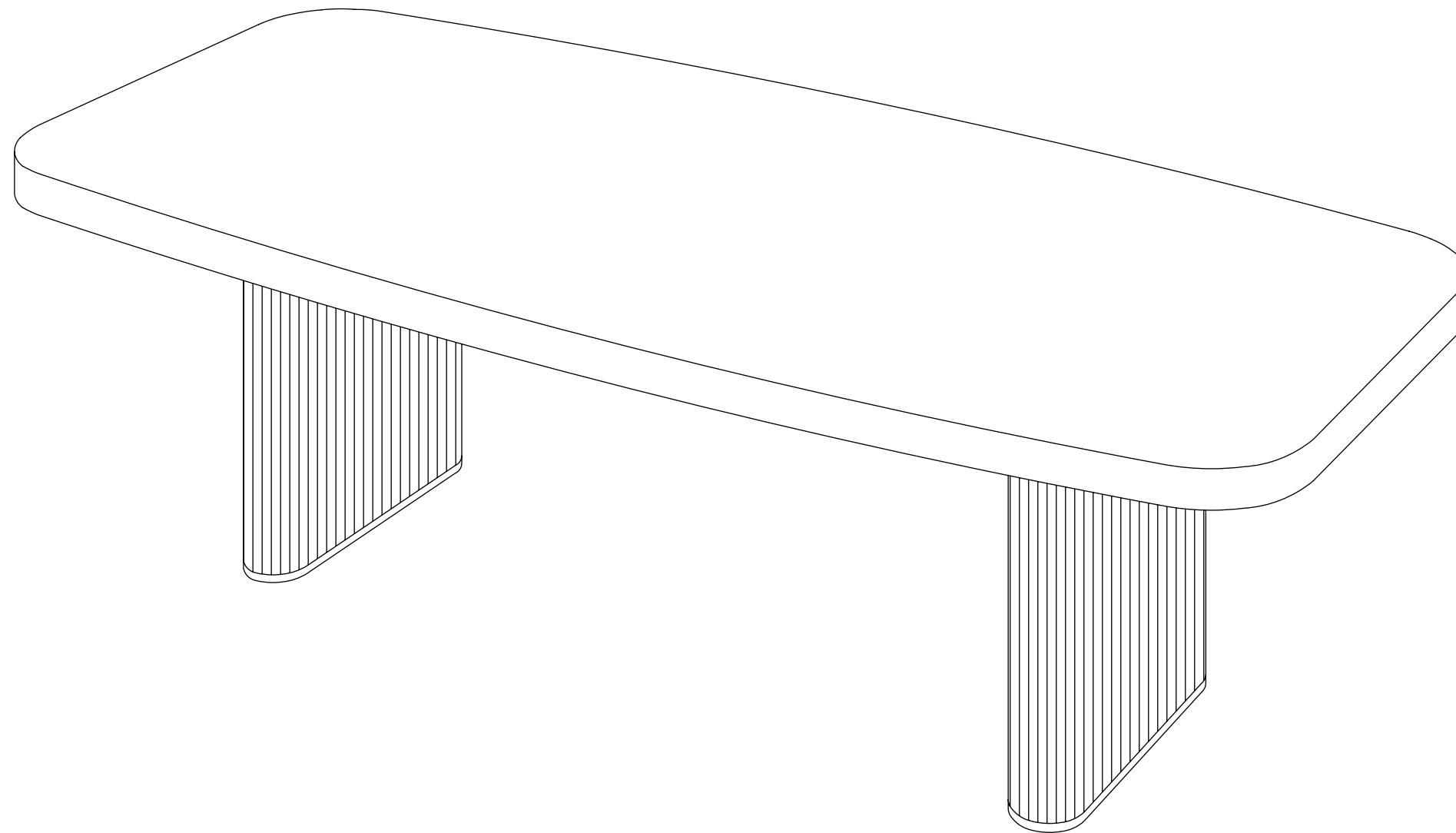


DETAIL C

© 1995 Accelerated Christian Education, Inc.
All rights reserved. Printed in the United States of America.
This publication may not be reproduced in whole or in part
in any form or by any means without permission from
Accelerated Christian Education, Inc.

ACCELERATED CHRISTIAN EDUCATION
STUDENT OFFICE
DETAIL DRAWINGS

DWG. NO. 0003	REV. 950331-0	SHEET 3 OF 3
------------------	------------------	-----------------



PERSPECTIVE PROJECTION

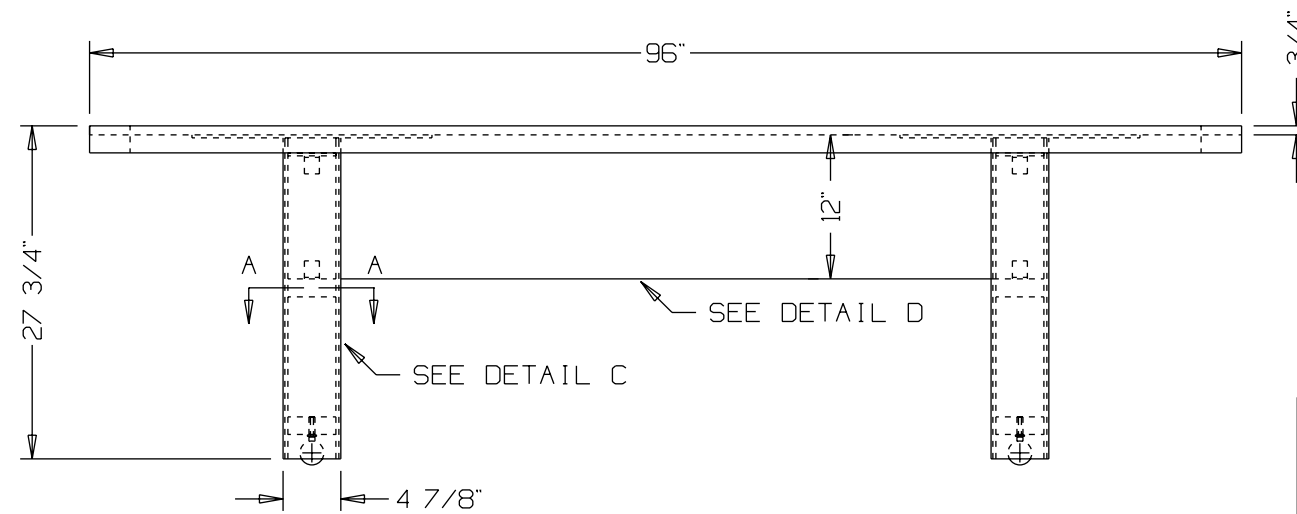
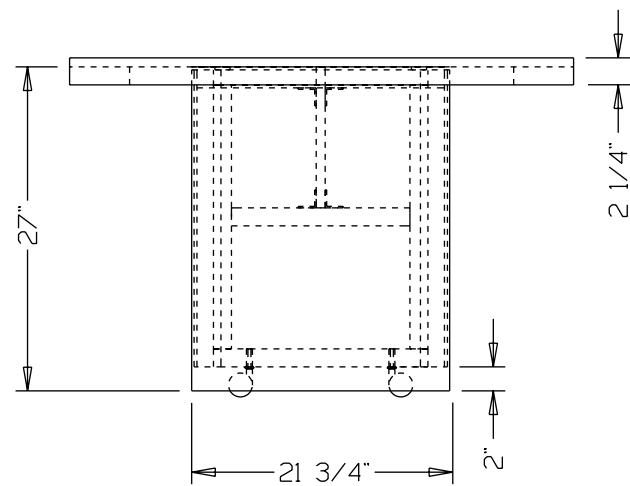
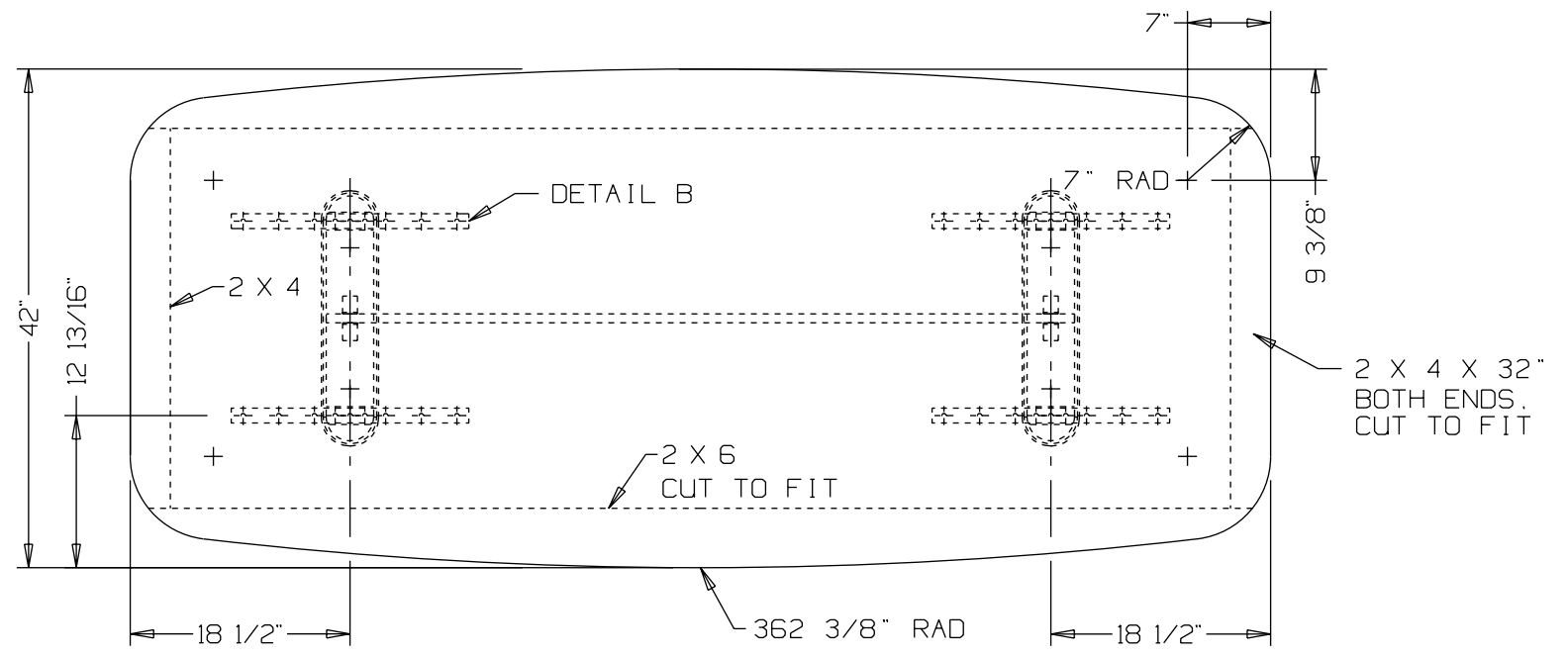
© 1995 Accelerated Christian Education, Inc.
All rights reserved. Printed in the United States of America.
This publication may not be reproduced in whole or in part
in any form or by any means without permission from
Accelerated Christian Education, Inc.

ACCELERATED CHRISTIAN EDUCATION
TESTING TABLE

DWG. NO. 0005	REV. 950316-0	SHEET 1 OF 3
------------------	------------------	-----------------

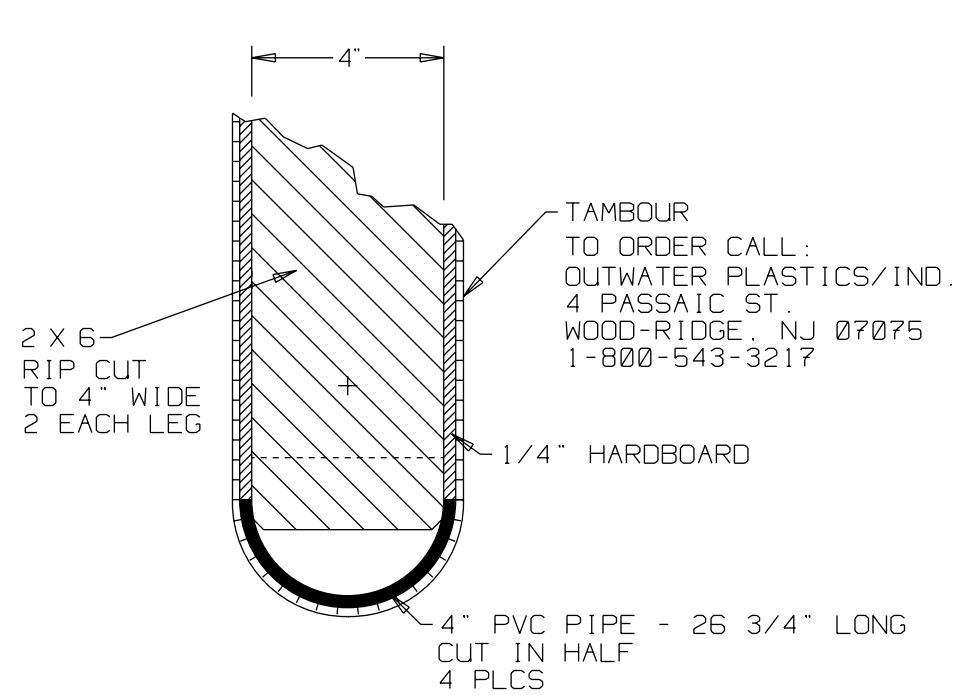
NOTES: UNLESS OTHERWISE SPECIFIED,
FASTEN ALL PARTS WITH
1 1/4" DRYWALL SCREWS

MULTIPURPOSE GLUE SUCH AS
LIQUID NAILS® MAY BE USED ON
ALL JOINTS



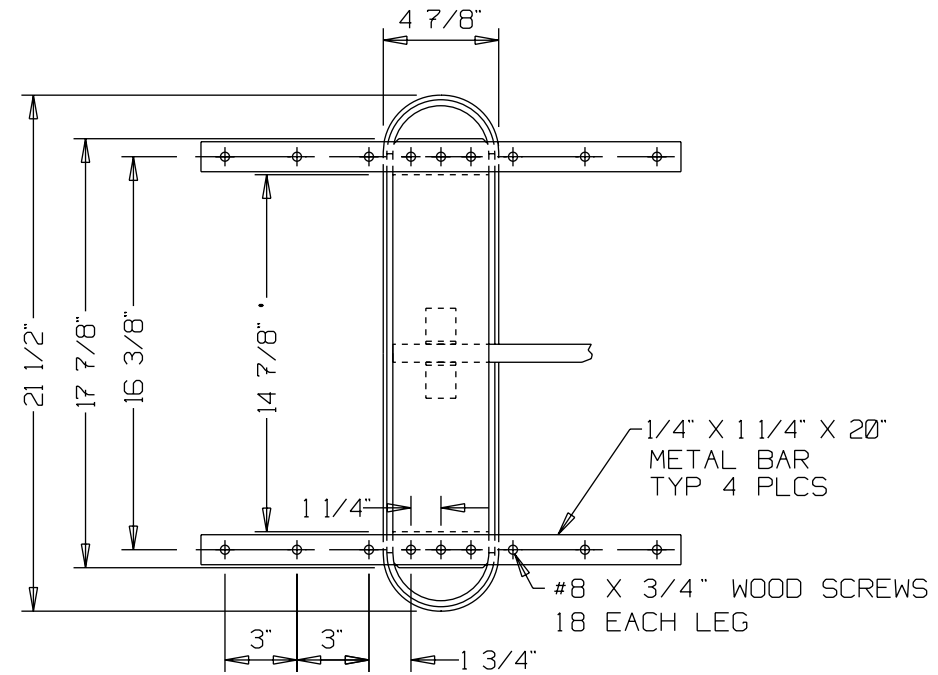
© 1995 Accelerated Christian Education, Inc. All rights reserved. Printed in the United States of America. This publication may not be reproduced in whole or in part in any form or by any means without permission from Accelerated Christian Education, Inc.		
ACCELERATED CHRISTIAN EDUCATION TESTING TABLE		
DWG. NO. 0005	REV. 950316-0	SHEET 2 OF 3

DETAIL OF LEG ASSEMBLY

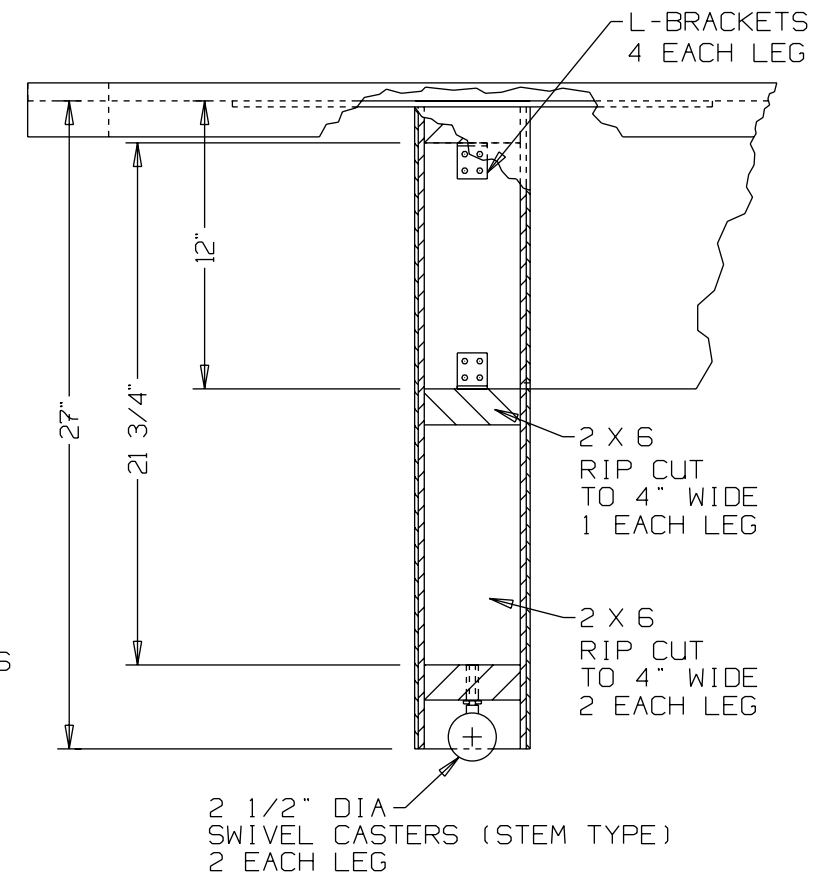


SECTION A-A

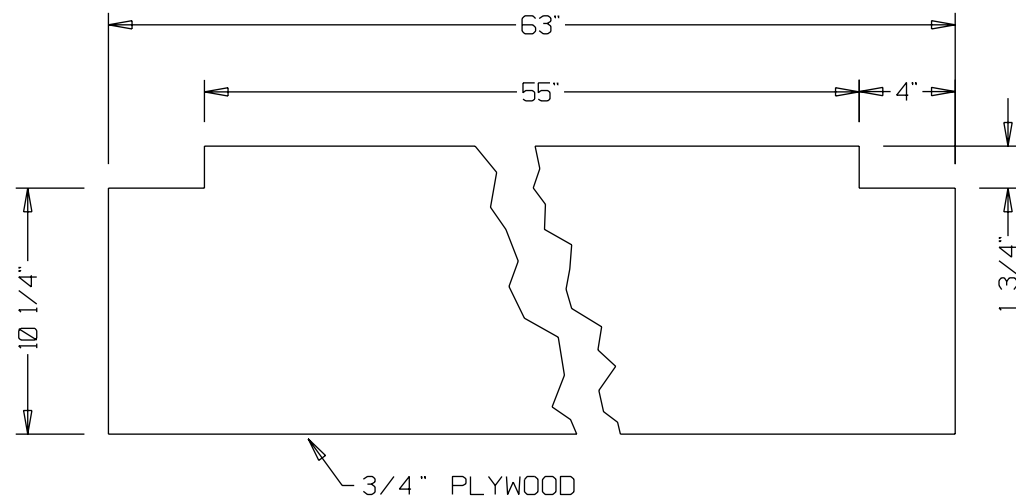
DETAIL OF LEG MOUNTING



DETAIL B



DETAIL C

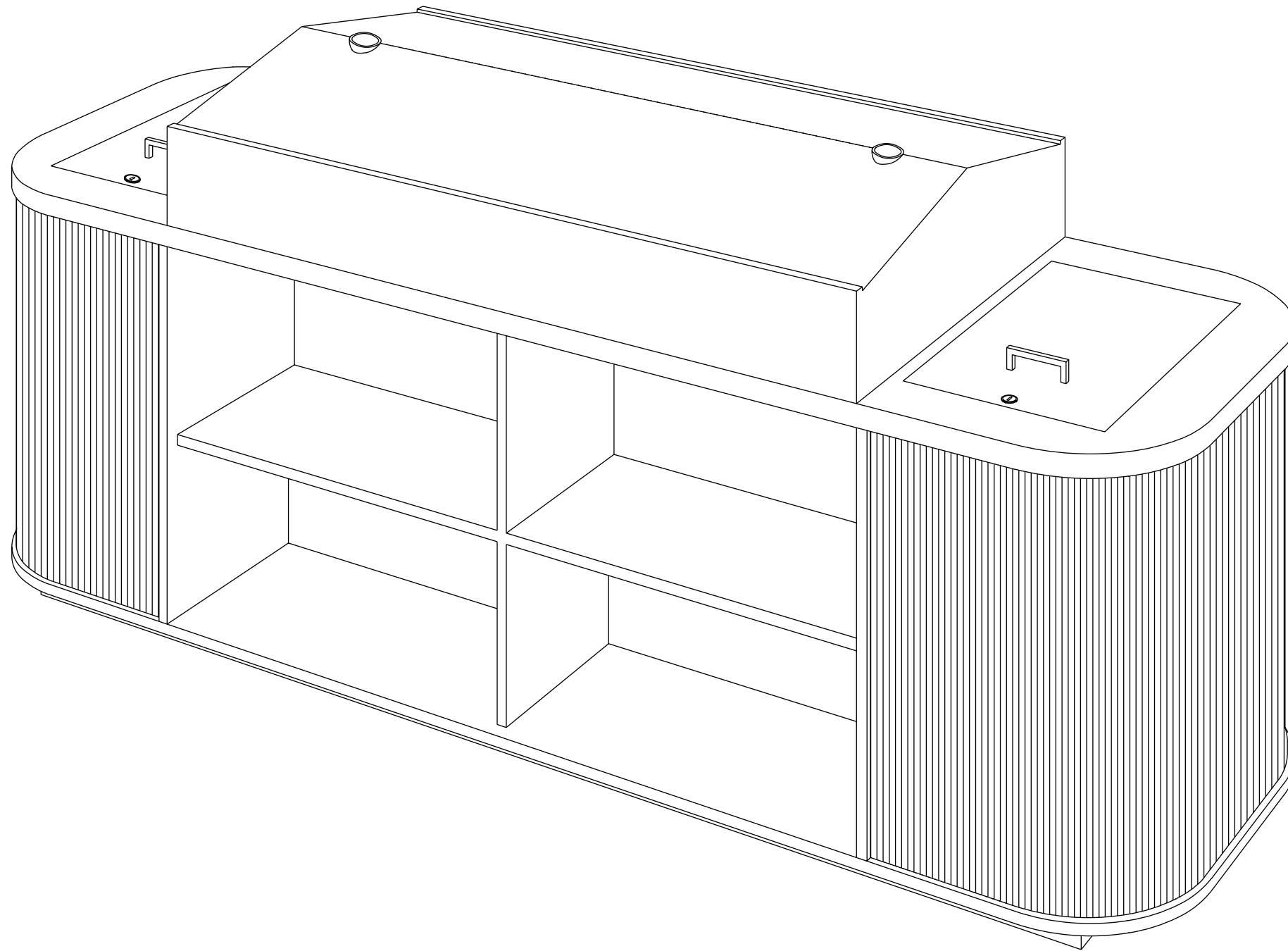


DETAIL D

© 1995 Accelerated Christian Education, Inc.
All rights reserved. Printed in the United States of America.
This publication may not be reproduced in whole or in part
in any form or by any means without permission from
Accelerated Christian Education, Inc.

ACCELERATED CHRISTIAN EDUCATION
TESTING TABLE
DETAIL DRAWINGS

DWG. NO. 0005	REV. 950421-0	SHEET 3 OF 3
------------------	------------------	-----------------



PERSPECTIVE PROJECTION

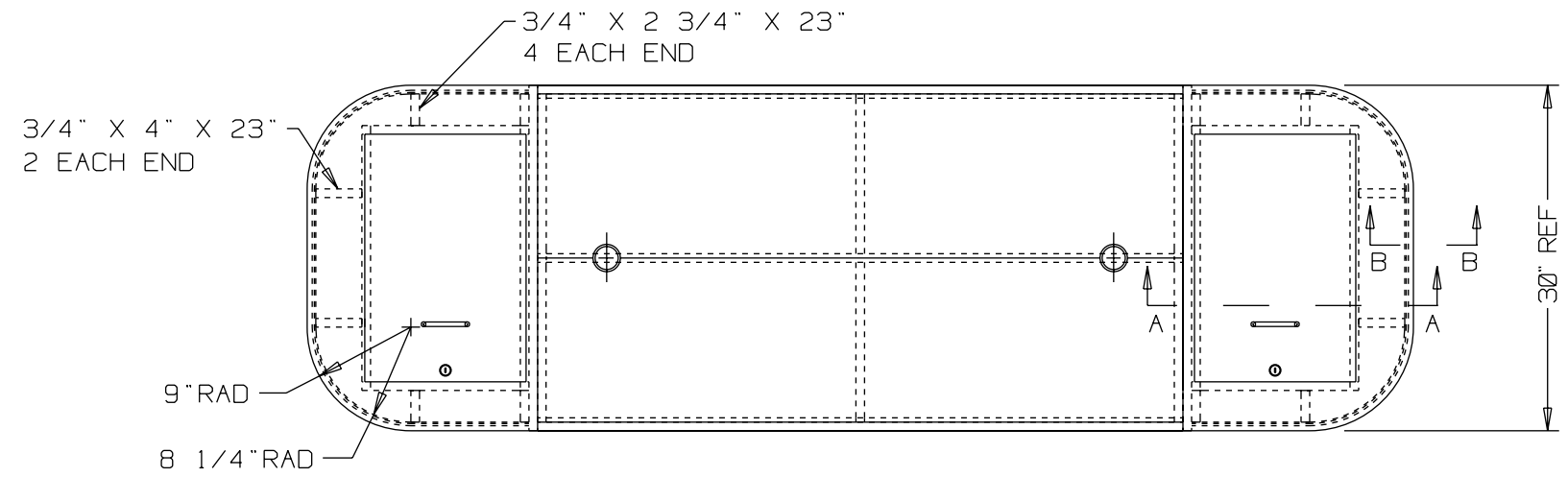
© 1995 Accelerated Christian Education, Inc.
All rights reserved. Printed in the United States of America.
This publication may not be reproduced in whole or in part
in any form or by any means without permission from
Accelerated Christian Education, Inc.

ACCELERATED CHRISTIAN EDUCATION
SCORING STATION

DWG. NO. 0004	REV. 950316-0	SHEET 1 OF 5
------------------	------------------	-----------------

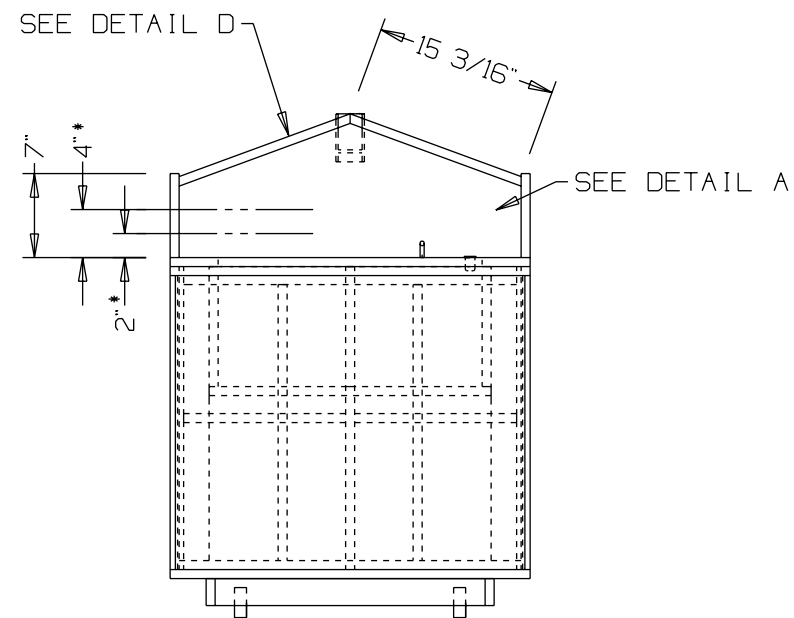
NOTES: UNLESS OTHERWISE SPECIFIED,
FASTEN ALL PARTS WITH
1 1/4" DRYWALL SCREWS

MULTIPURPOSE GLUE SUCH AS
LIQUID NAILS® MAY BE USED ON
ALL JOINTS

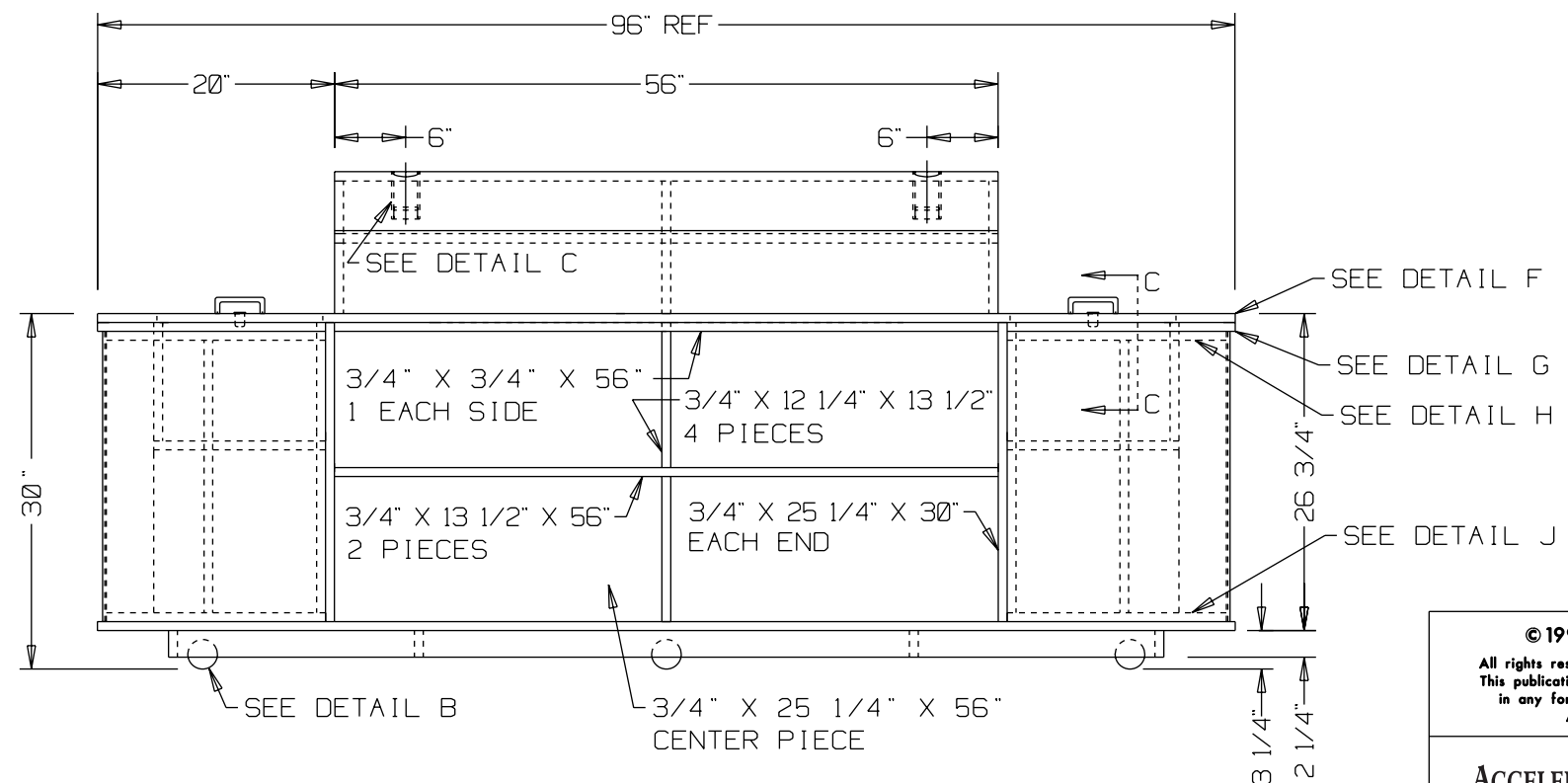


TOP VIEW

* OPTIONAL DIMENSIONS
FOR SHORTER SCORING STATION

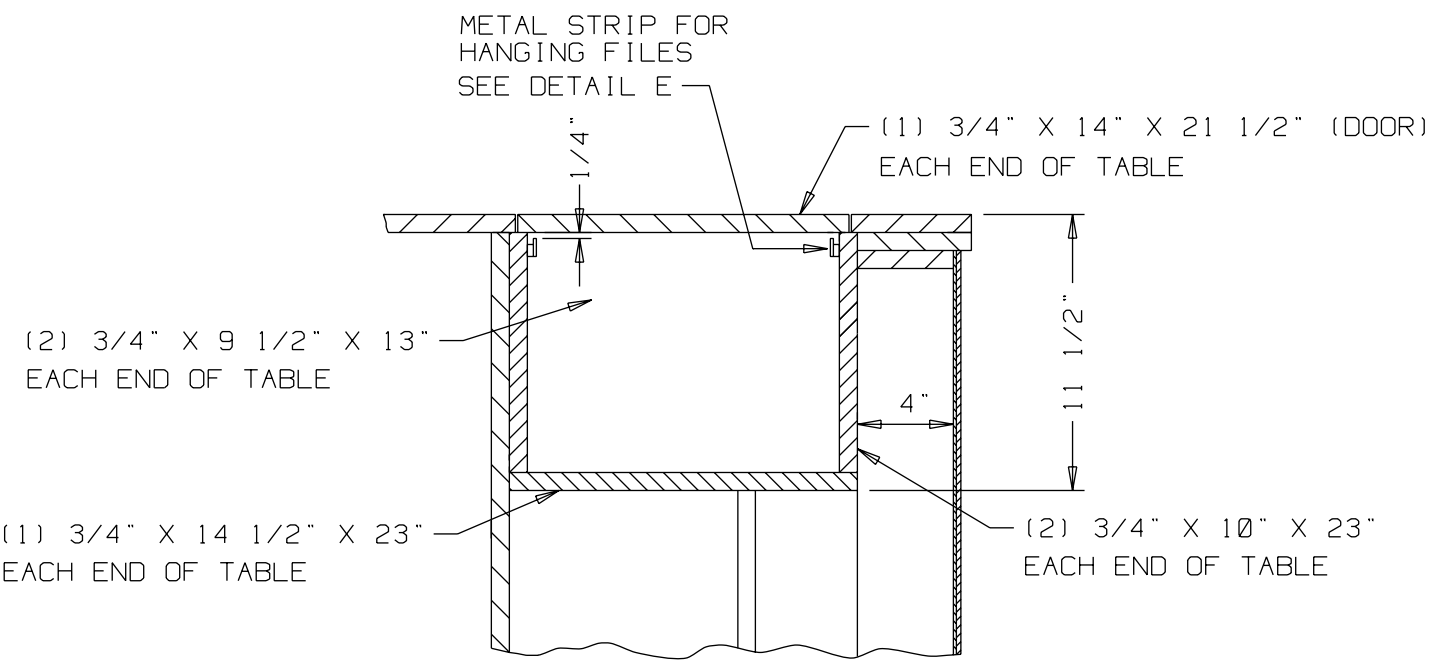


END VIEW

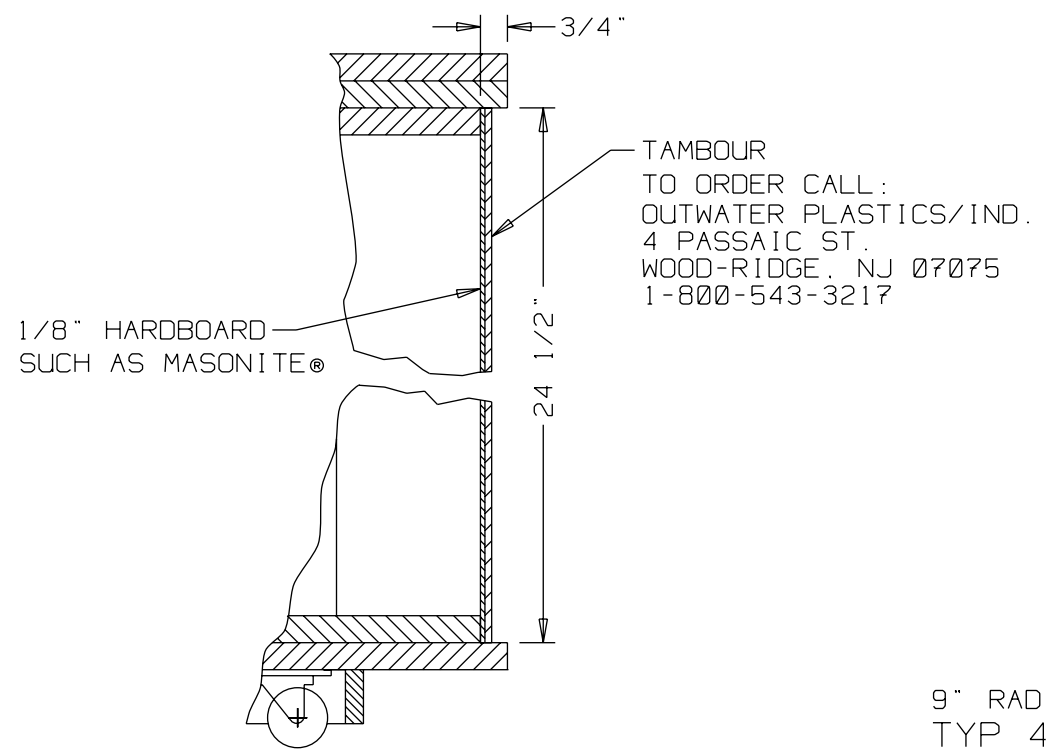


SIDE VIEW

© 1995 Accelerated Christian Education, Inc. All rights reserved. Printed in the United States of America. This publication may not be reproduced in whole or in part in any form or by any means without permission from Accelerated Christian Education, Inc.		
ACCELERATED CHRISTIAN EDUCATION SCORING STATION		
DWG. NO. 0004	REV. 950316-0	SHEET 2 OF 5

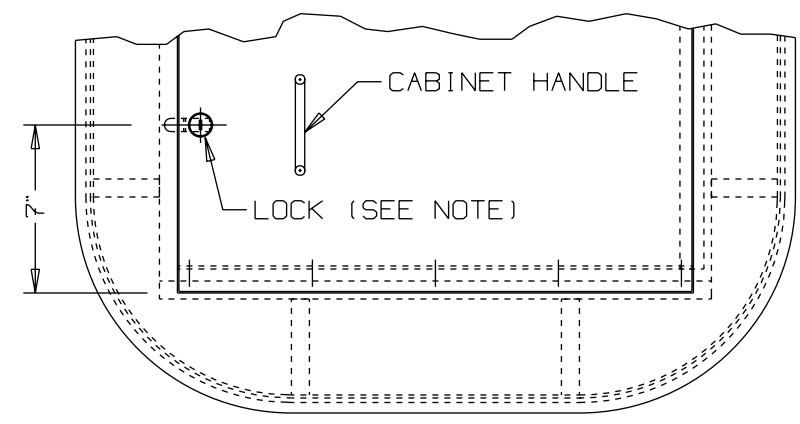


SECTION A-A

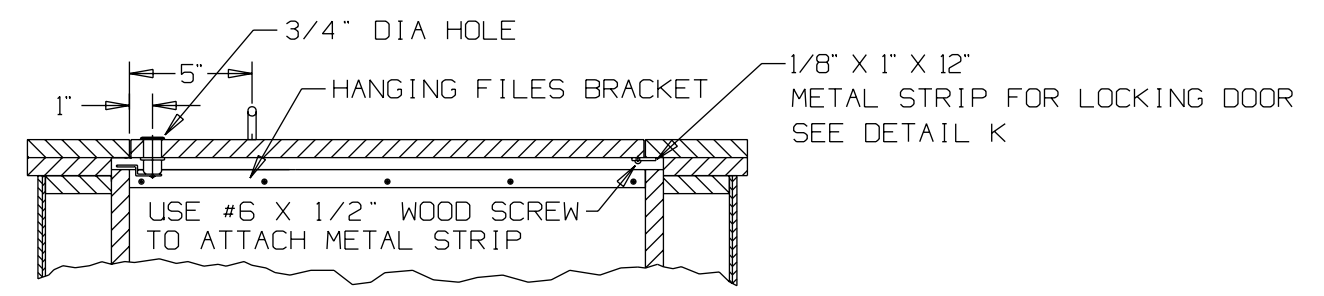


SECTION B-B

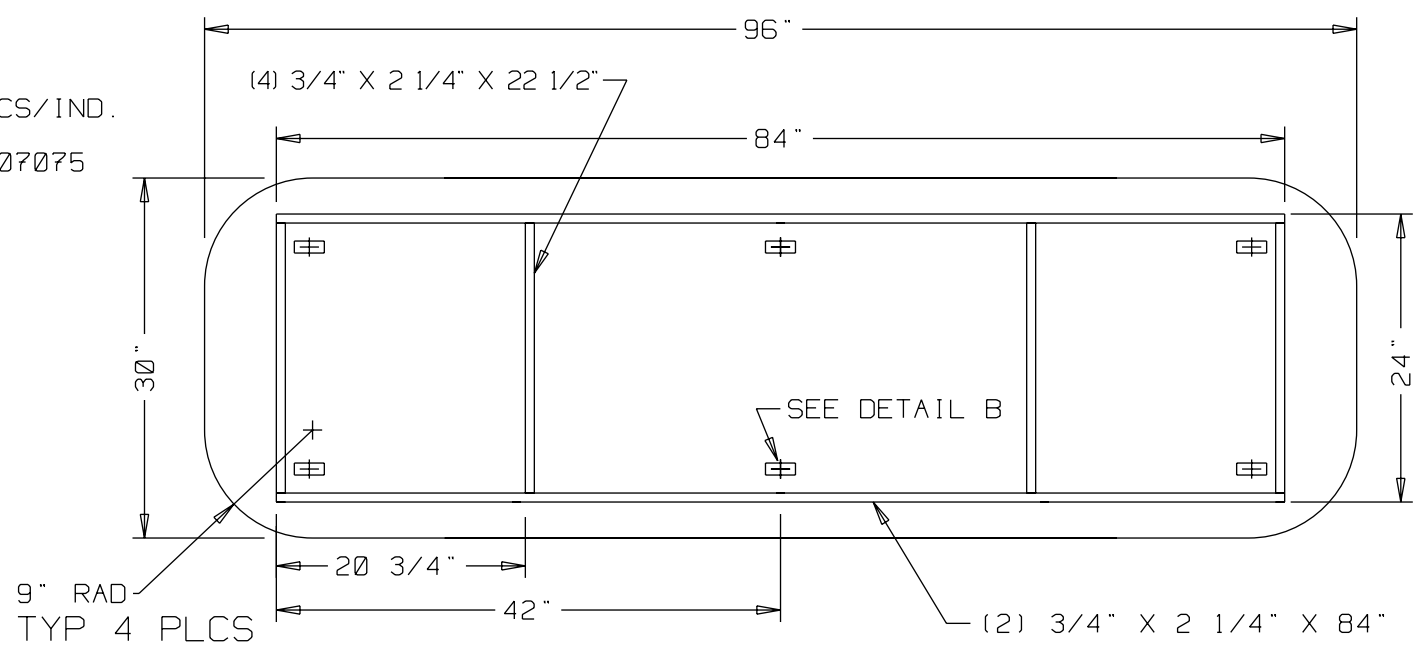
DETAIL OF DOOR LOCK & HANDLE



NOTE: DIMENSIONS FOR LOCK WILL VARY WITH THE TYPE OF LOCK USED. THIS DETAIL USES A NATIONAL CABINET LOCK, FLUSH MOUNTED, AND DOUBLE FORMED CAM FOR AN EXAMPLE.



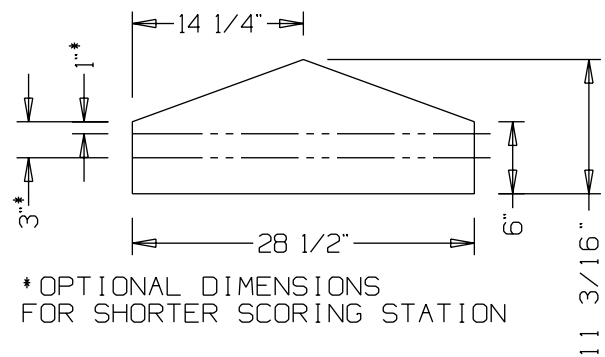
SECTION C-C



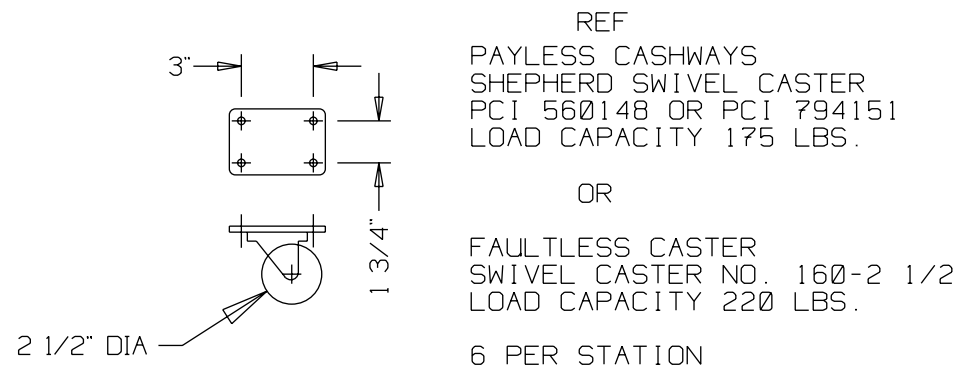
BOTTOM VIEW (BASE)

© 1995 Accelerated Christian Education, Inc. All rights reserved. Printed in the United States of America. This publication may not be reproduced in whole or in part in any form or by any means without permission from Accelerated Christian Education, Inc.		
ACCELERATED CHRISTIAN EDUCATION SCORING STATION DETAIL DRAWINGS		
DWG. NO. 0004	REV. 950316-0	SHEET 3 OF 5

SCORING SURFACE SUPPORT

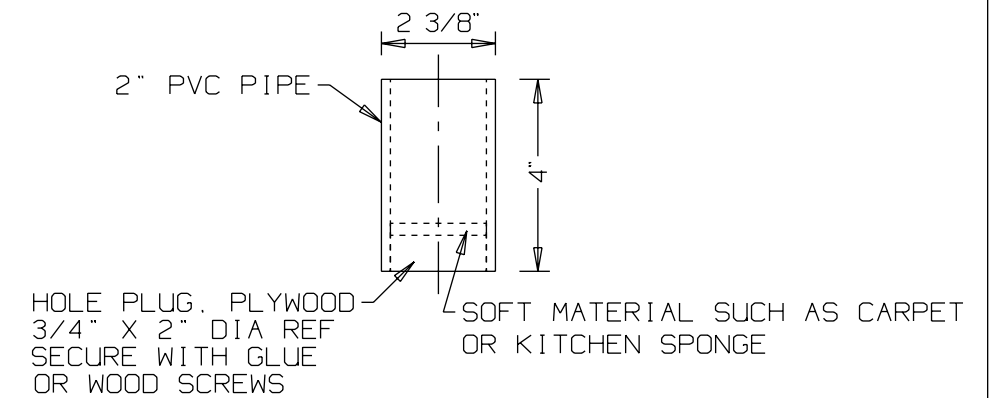


DETAIL A



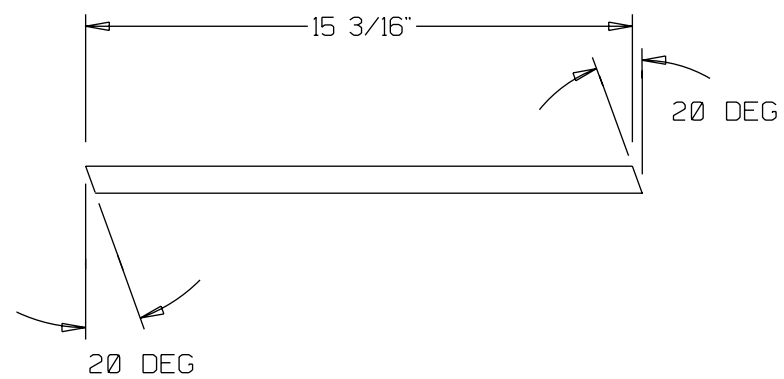
DETAIL B

PEN HOLDER



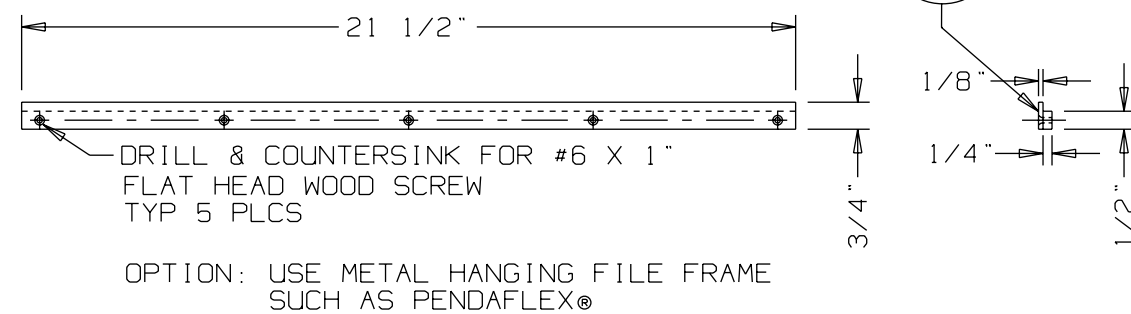
DETAIL C

DETAIL OF CUTS FOR SCORING STATION SURFACE



DETAIL D

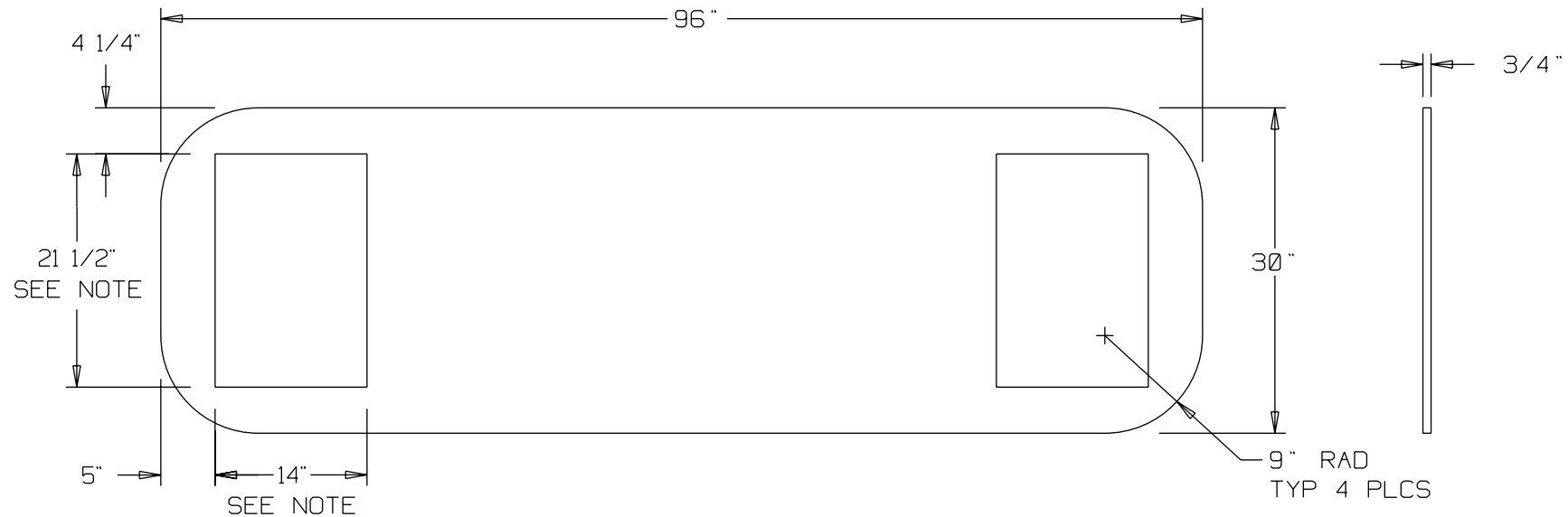
METAL BRACKET FOR HANGING FILES



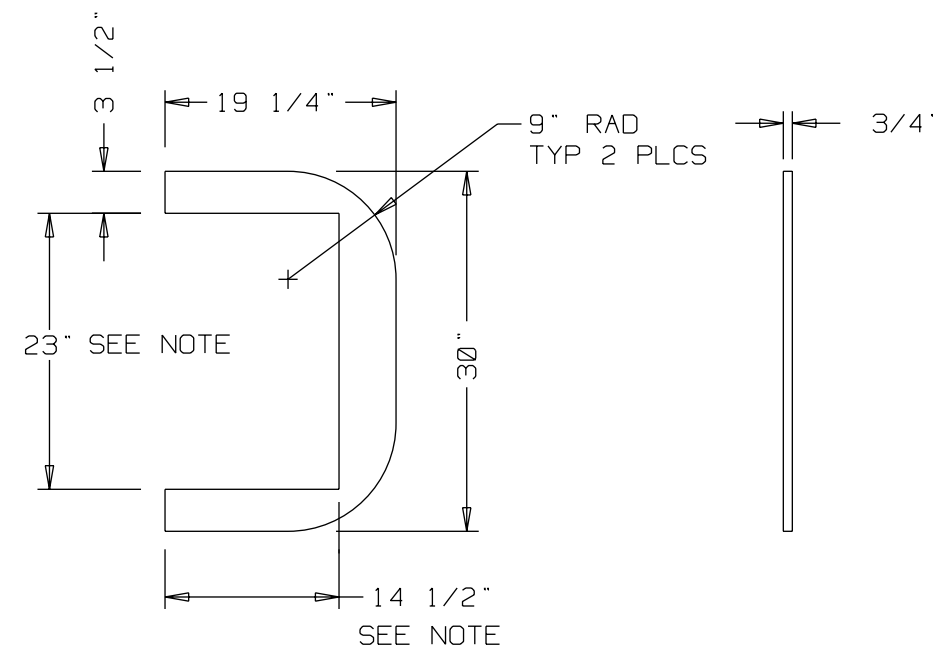
DETAIL E

© 1995 Accelerated Christian Education, Inc. All rights reserved. Printed in the United States of America. This publication may not be reproduced in whole or in part in any form or by any means without permission from Accelerated Christian Education, Inc.		
ACCELERATED CHRISTIAN EDUCATION SCORING STATION DETAIL DRAWINGS		
DWG. NO. 0004	REV. 950316-0	SHEET 4 OF 5

TABLE TOP

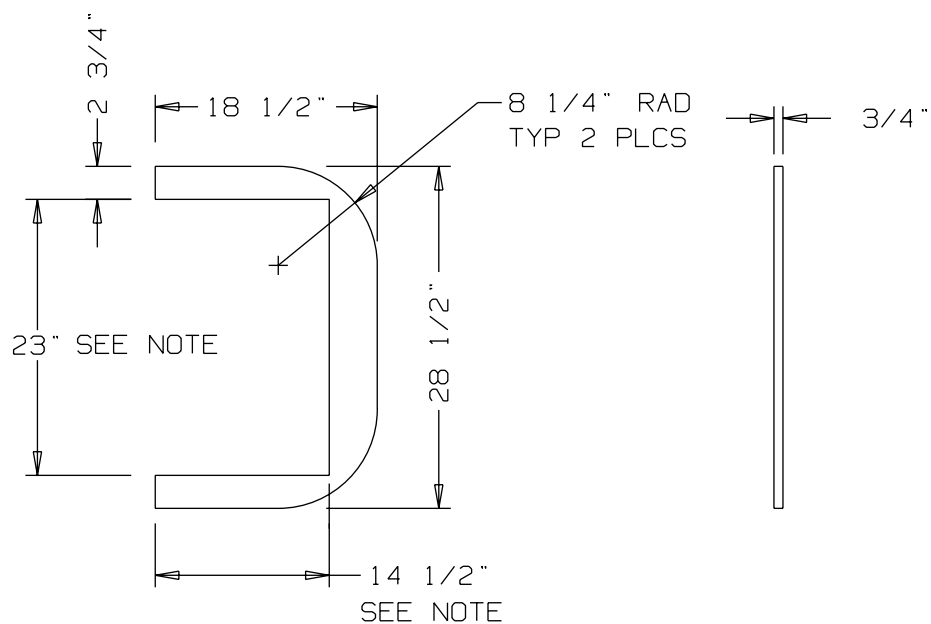


DETAIL F

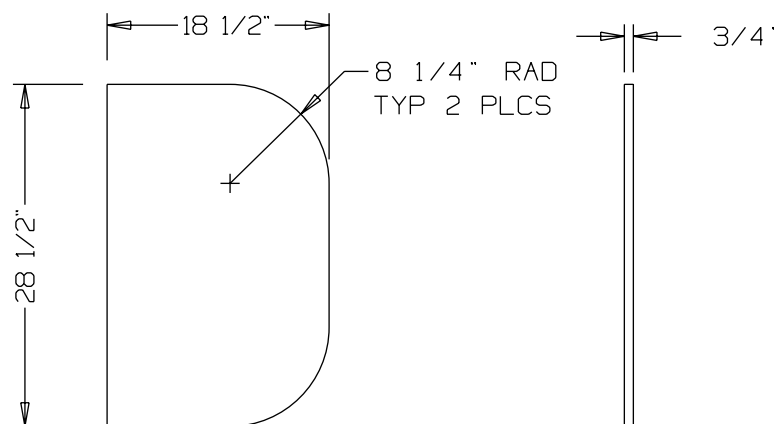


DETAIL G

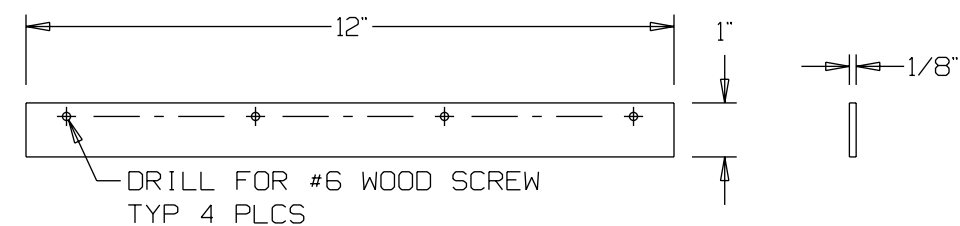
NOTE: MAKE CUTS CAREFULLY FOR A CLOSE FIT WITH SCORE KEY FILE AREA



DETAIL H



DETAIL J

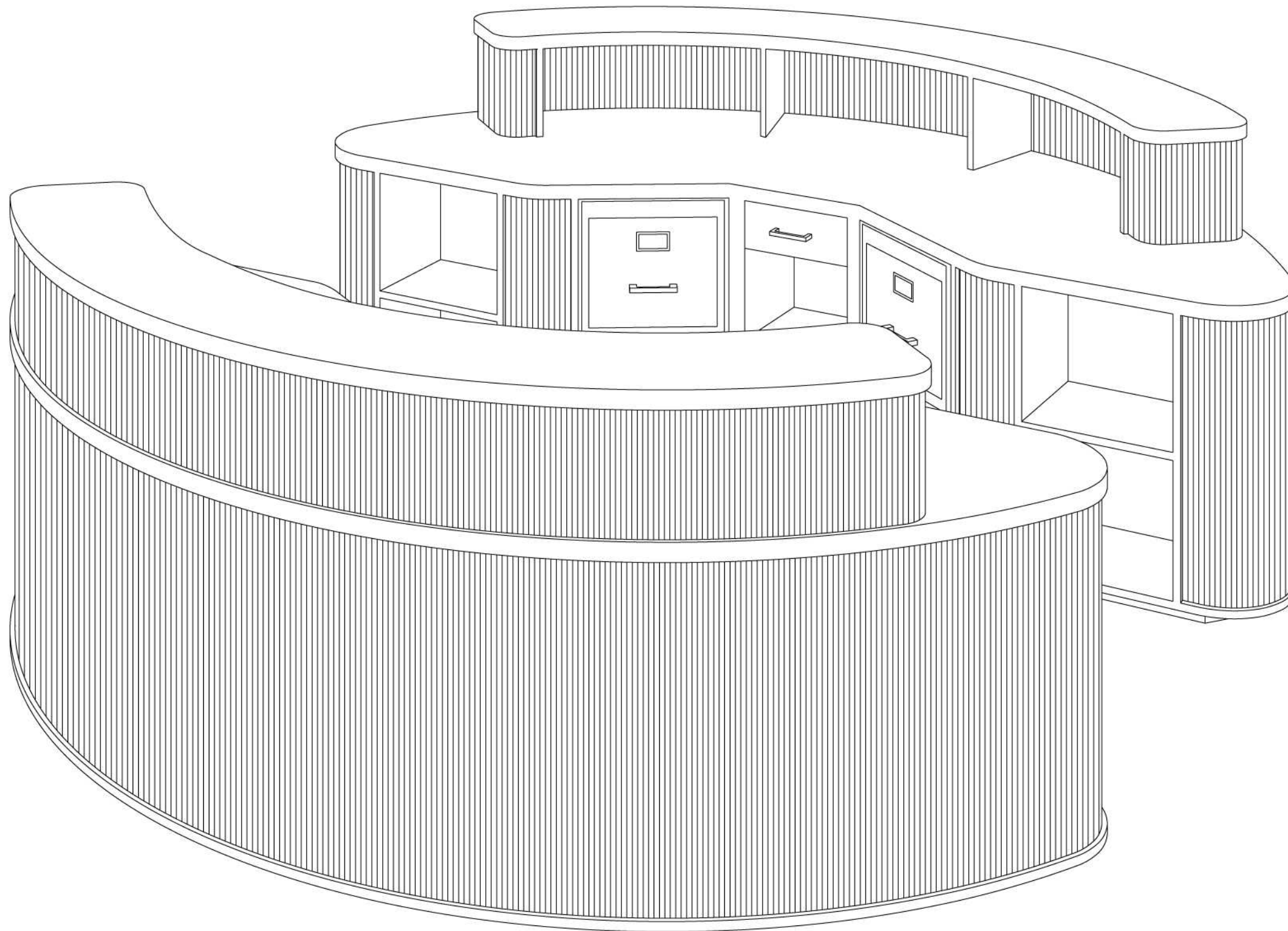


DETAIL K

© 1995 Accelerated Christian Education, Inc.
 All rights reserved. Printed in the United States of America.
 This publication may not be reproduced in whole or in part
 in any form or by any means without permission from
 Accelerated Christian Education, Inc.

ACCELERATED CHRISTIAN EDUCATION
 SCORING STATION
 DETAIL DRAWINGS

DWG. NO. 0004	REV. 950316-0	SHEET 5 OF 5
------------------	------------------	-----------------



PERSPECTIVE PROJECTION

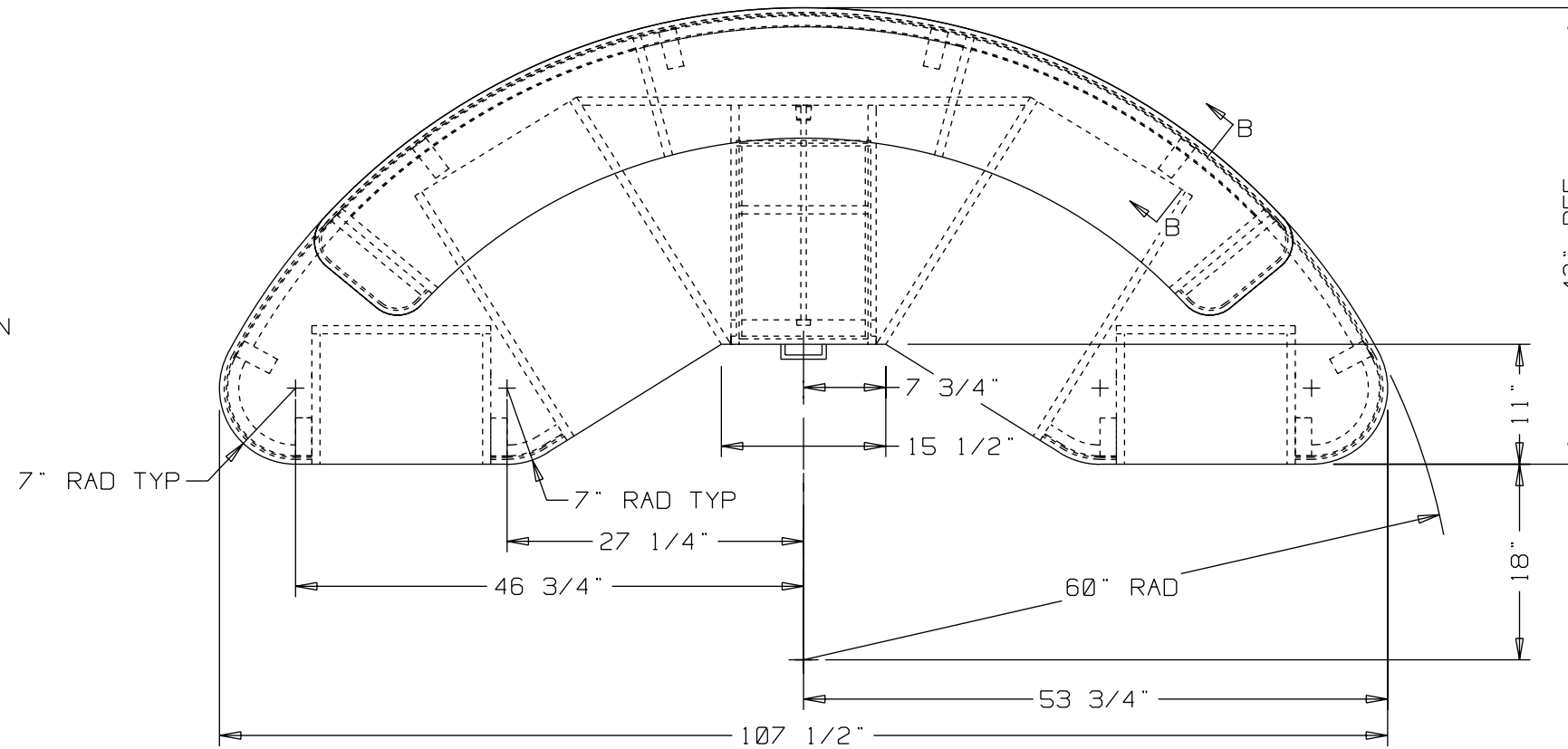
© 1995 Accelerated Christian Education, Inc.
All rights reserved. Printed in the United States of America.
This publication may not be reproduced in whole or in part
in any form or by any means without permission from
Accelerated Christian Education, Inc.

ACCELERATED CHRISTIAN EDUCATION
SUPERVISOR'S STATION

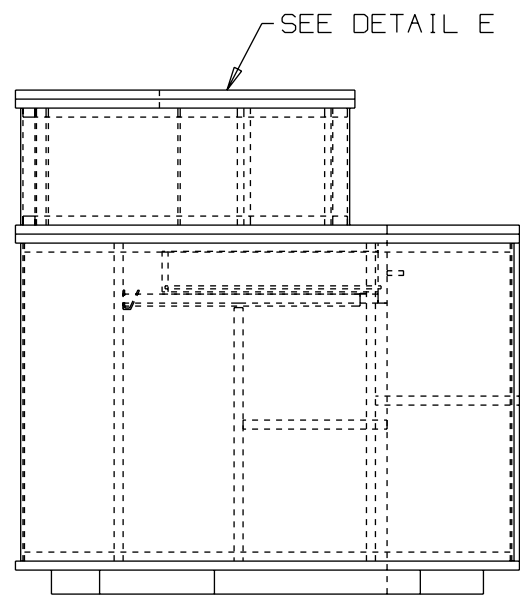
DWG. NO. 0006	REV. 950316-0	SHEET 1 OF 5
------------------	------------------	-----------------

NOTES: UNLESS OTHERWISE SPECIFIED,
FASTEN ALL PARTS WITH
1 1/4" DRYWALL SCREWS

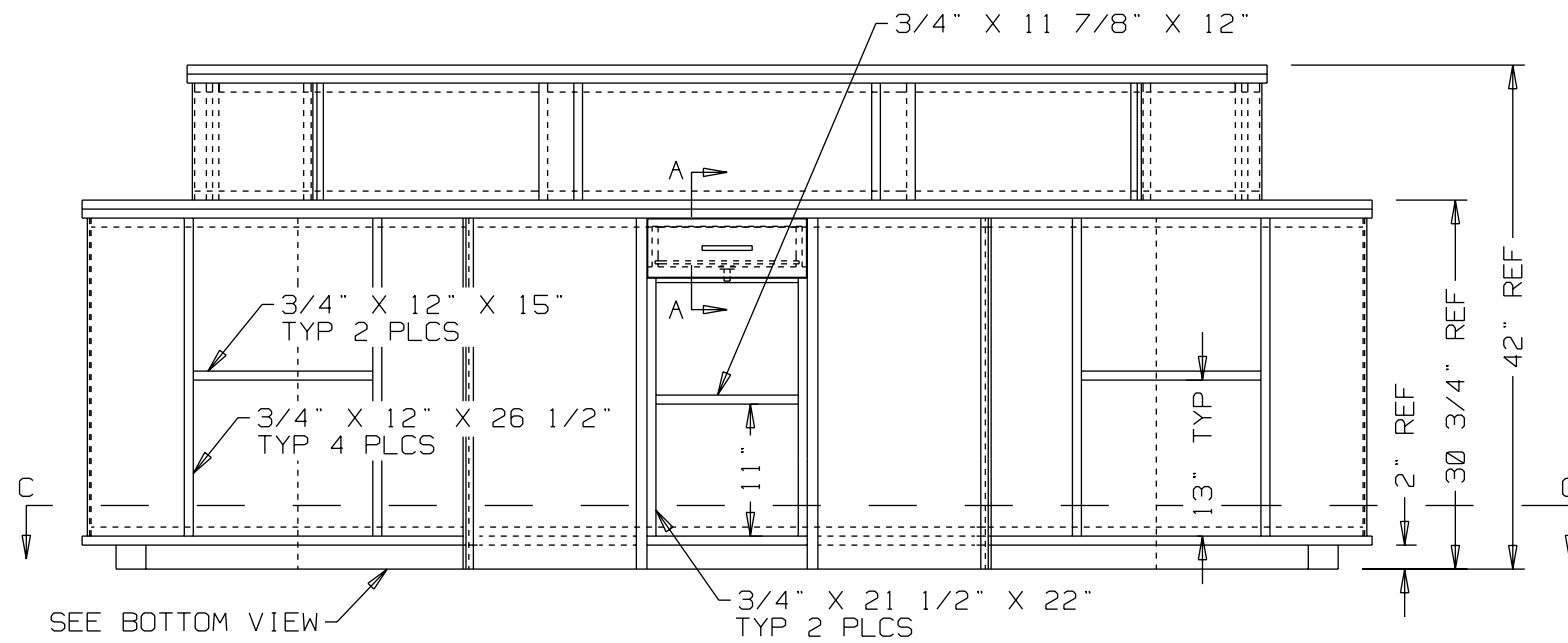
MULTIPURPOSE GLUE SUCH AS
LIQUID NAILS® MAY BE USED ON
ALL JOINTS



TOP VIEW



END VIEW



FRONT VIEW

© 1995 Accelerated Christian Education, Inc.
All rights reserved. Printed in the United States of America.
This publication may not be reproduced in whole or in part
in any form or by any means without permission from
Accelerated Christian Education, Inc.

ACCELERATED CHRISTIAN EDUCATION
SUPERVISOR'S STATION

DWG. NO. 0006	REV. 950316-0	SHEET 2 OF 5
------------------	------------------	-----------------

DETAIL OF DRAWER

DETAIL OF DRAWER FRONT

DRAWER BACK
1/2" X 3 3/8" X 12 1/2"
SEE NOTE

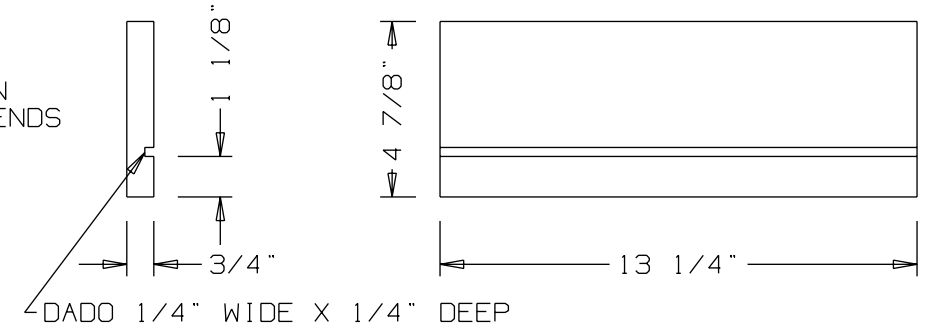
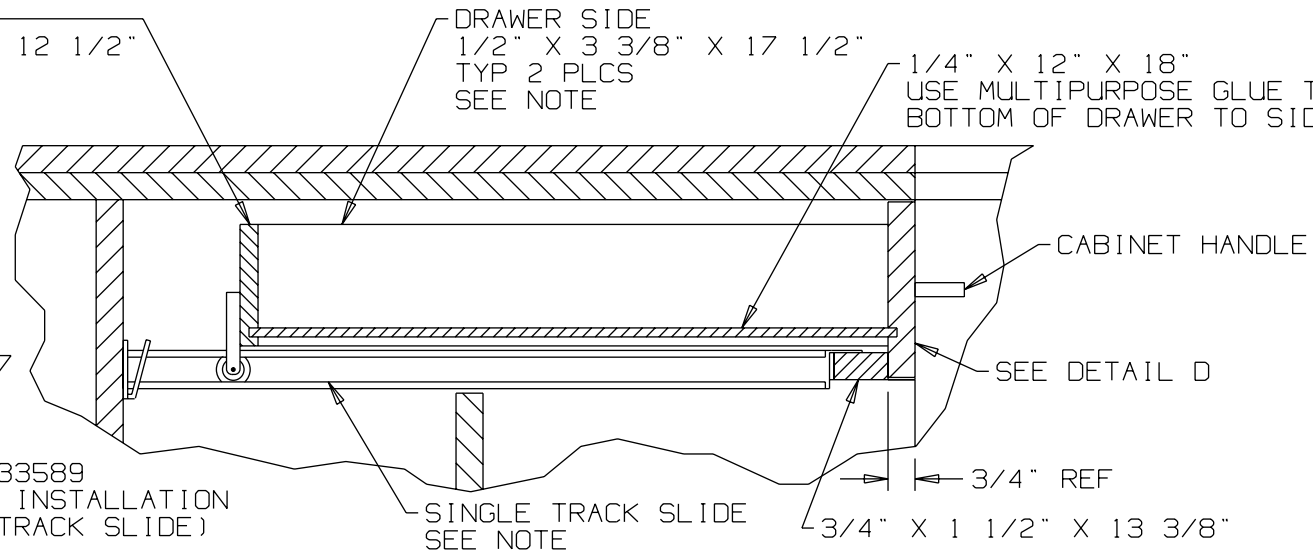
DRAWER SIDE
1/2" X 3 3/8" X 17 1/2"
TYP 2 PLCS
SEE NOTE

1/4" X 12" X 18"
USE MULTIPURPOSE GLUE TO JOIN
BOTTOM OF DRAWER TO SIDES & ENDS

NOTE: DRAWER SIDES, BACK AND
TRACK SHOWN MAY BE
PURCHASED FROM THE
WOOD WORKERS' STORE
21801 INDUSTRIAL BLVD.
ROGERS, MN 55374-9514
1-800-279-4441

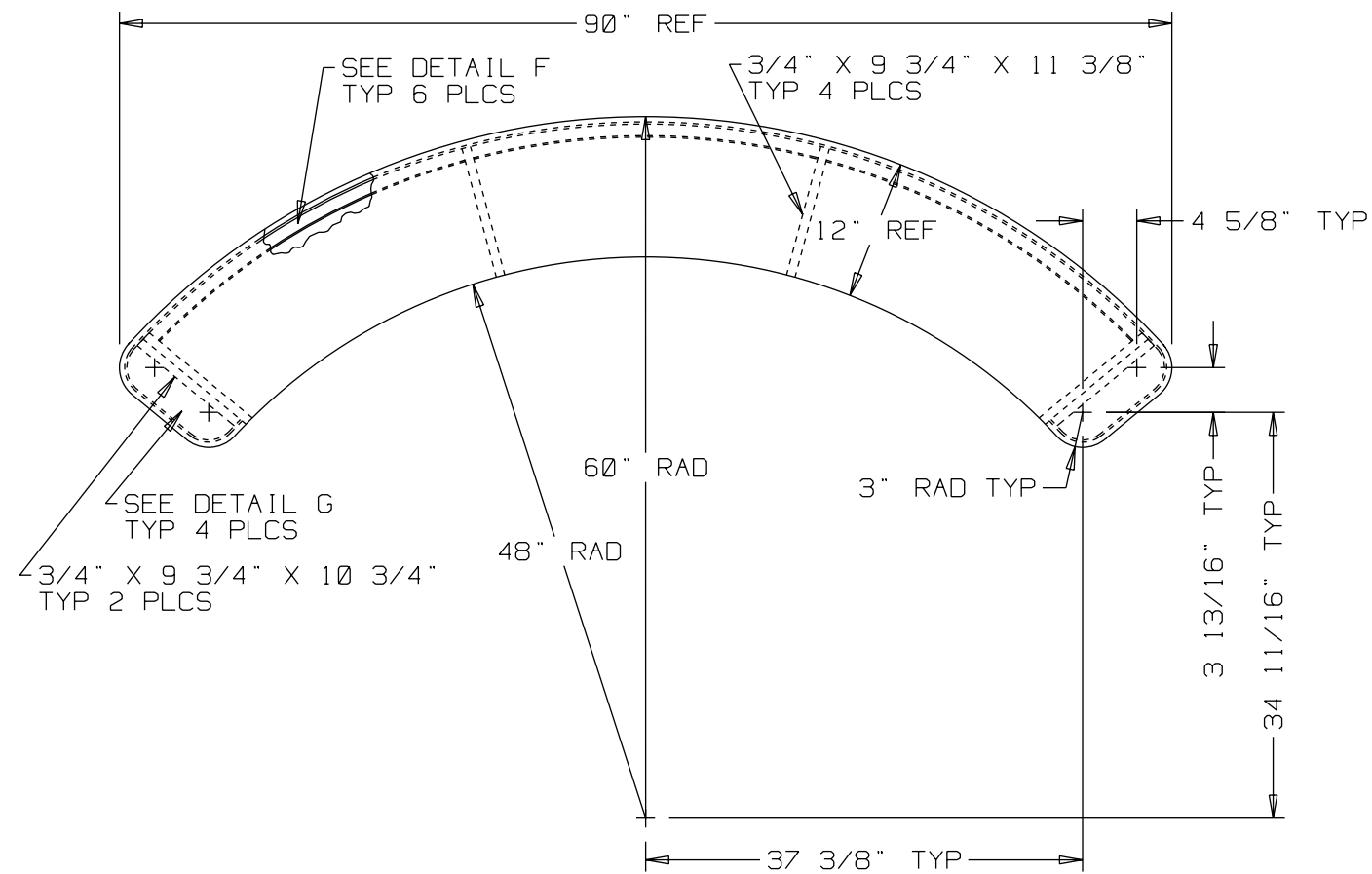
DRAWER SIDE--ITEM #12237
OR EQUIVALENT (4 FOOT
LENGTHS)

TRACK & ROLLERS--ITEM #33589
OR EQUIVALENT (COMPLETE INSTALLATION
INSTRUCTIONS COME WITH TRACK SLIDE)

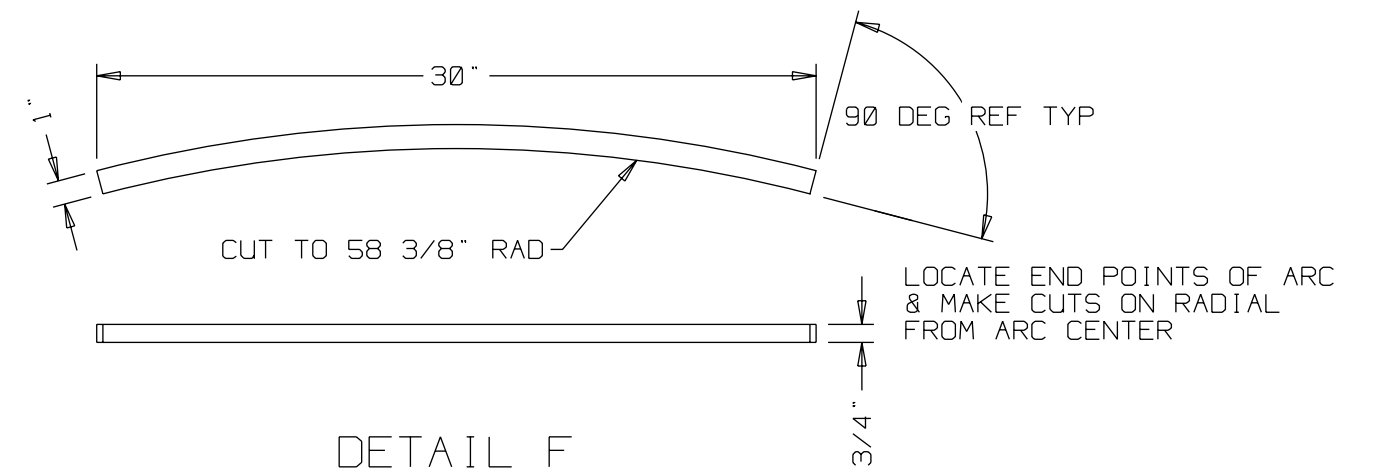


DETAIL D

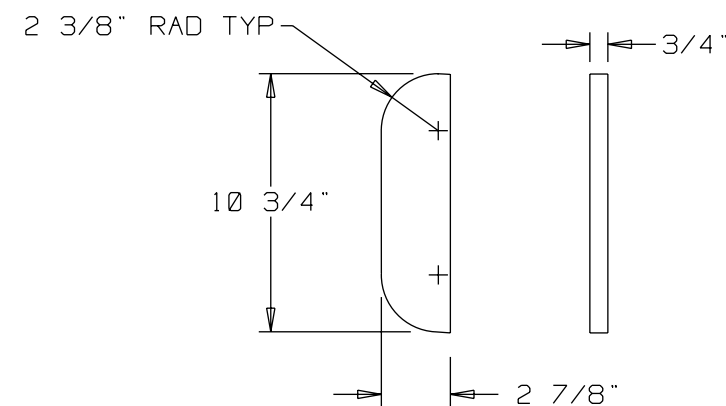
SECTION A-A



DETAIL E



DETAIL F

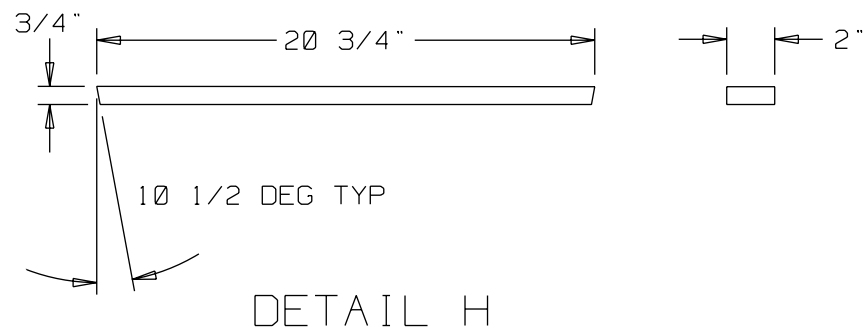


DETAIL G

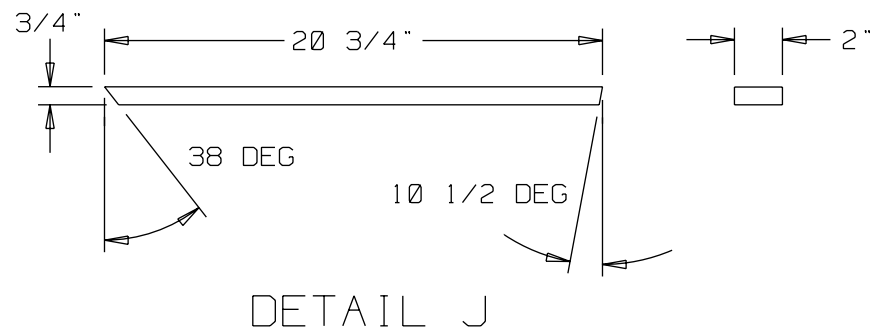
© 1995 Accelerated Christian Education, Inc.
All rights reserved. Printed in the United States of America.
This publication may not be reproduced in whole or in part
in any form or by any means without permission from
Accelerated Christian Education, Inc.

ACCELERATED CHRISTIAN EDUCATION
SUPERVISOR'S STATION
DETAIL DRAWINGS

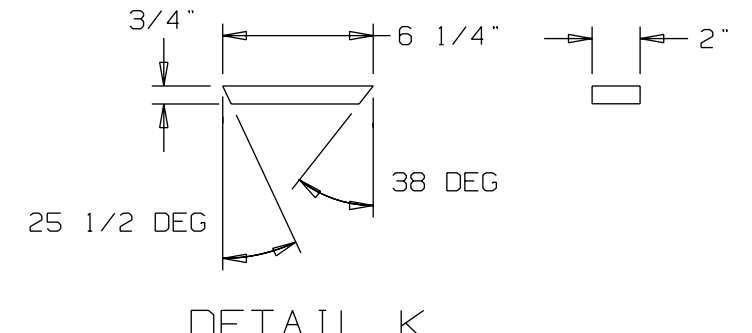
DWG. NO. 0006	REV. 950316-0	SHEET 3 OF 5
------------------	------------------	-----------------



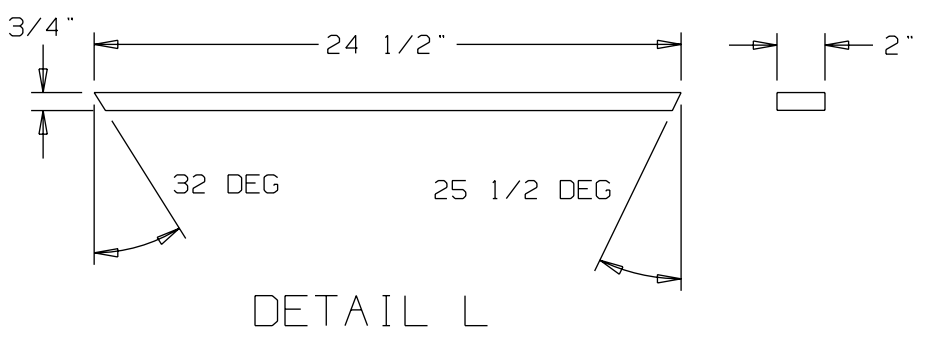
DETAIL H



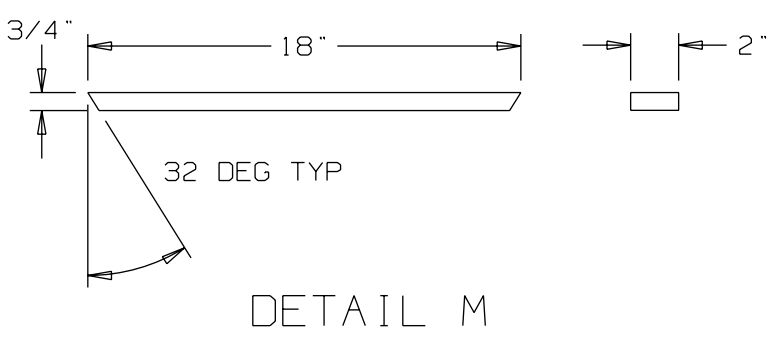
DETAIL J



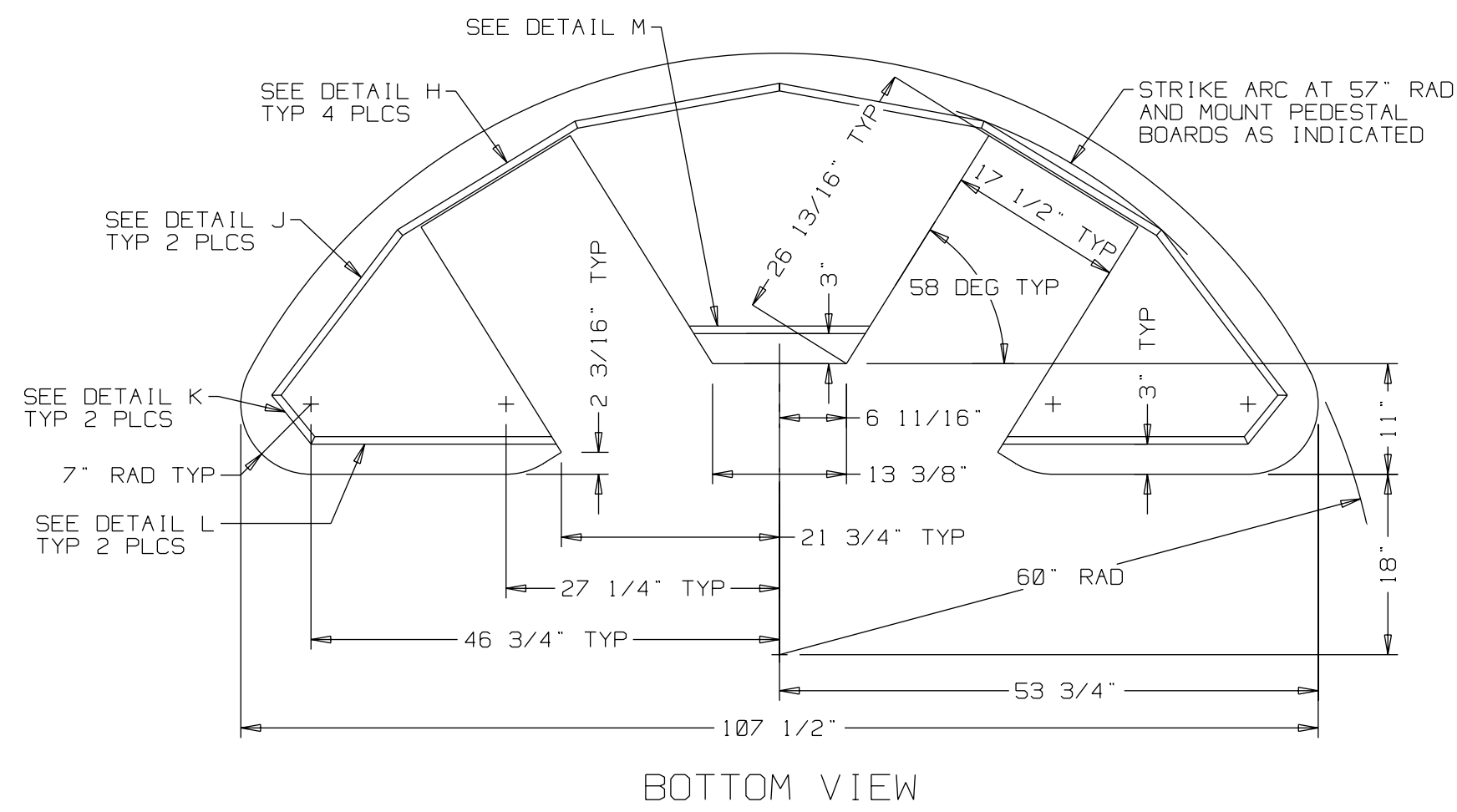
DETAIL K



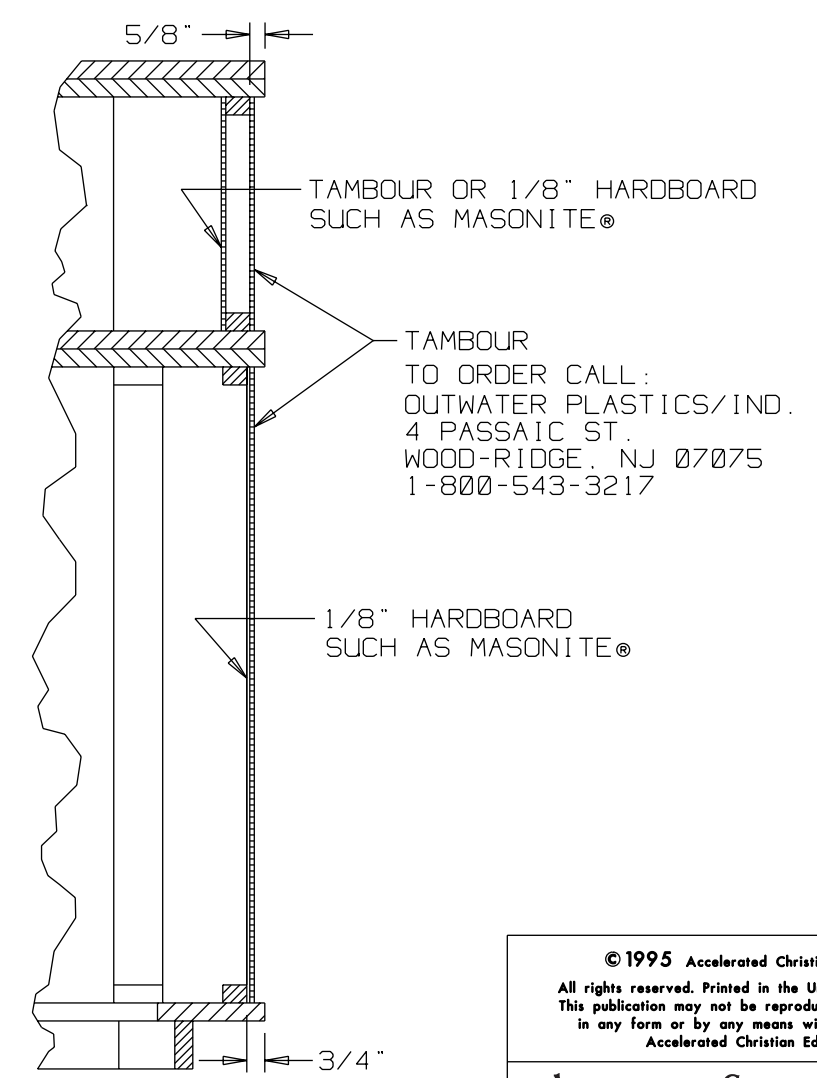
DETAIL L



DETAIL M



BOTTOM VIEW

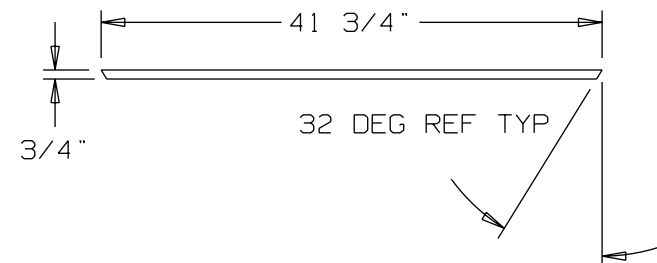
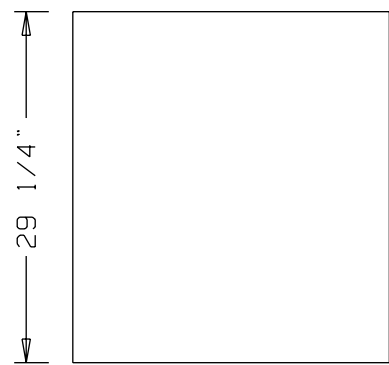
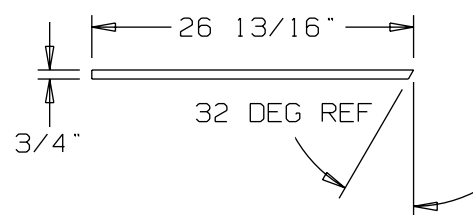
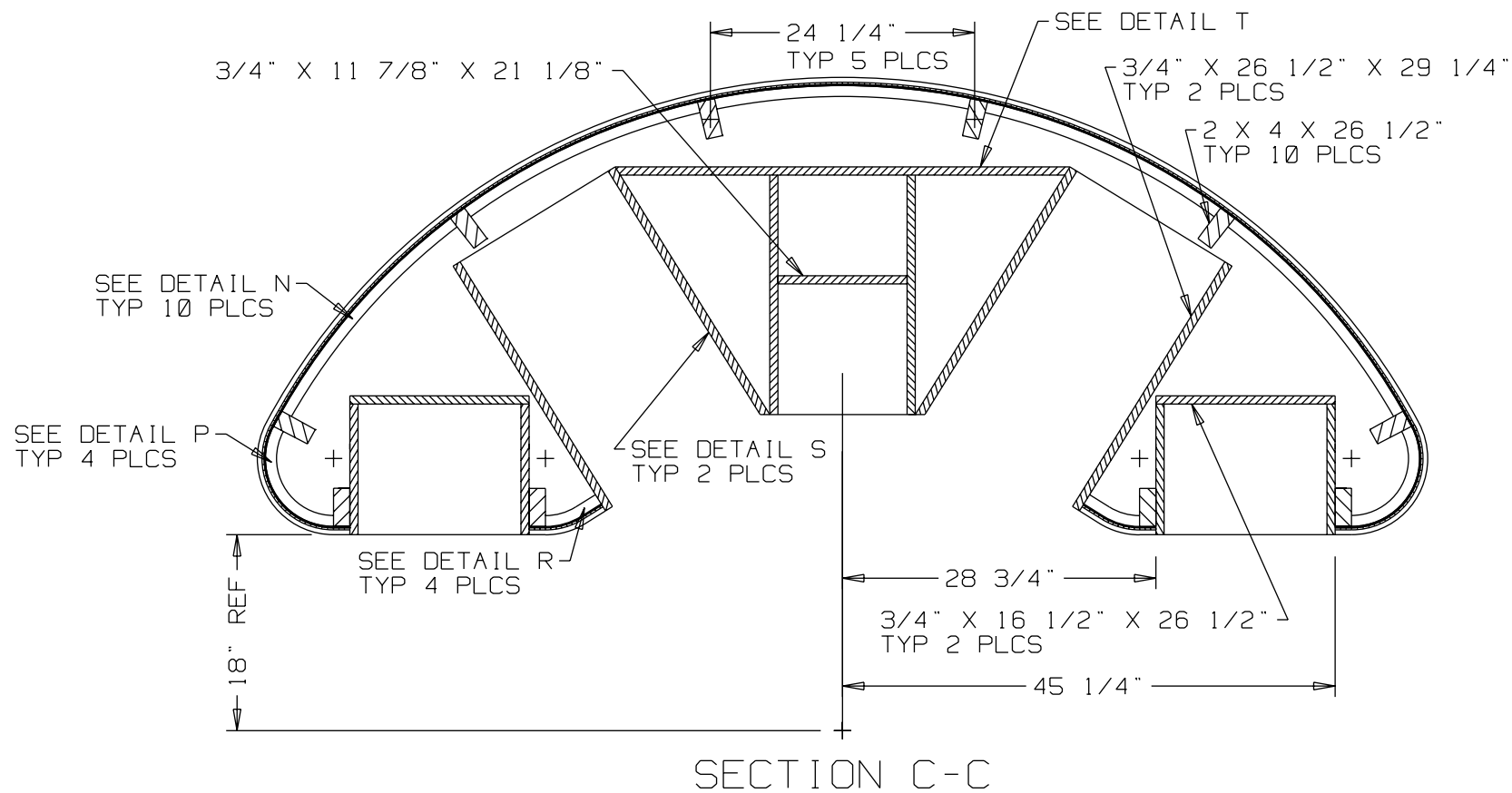
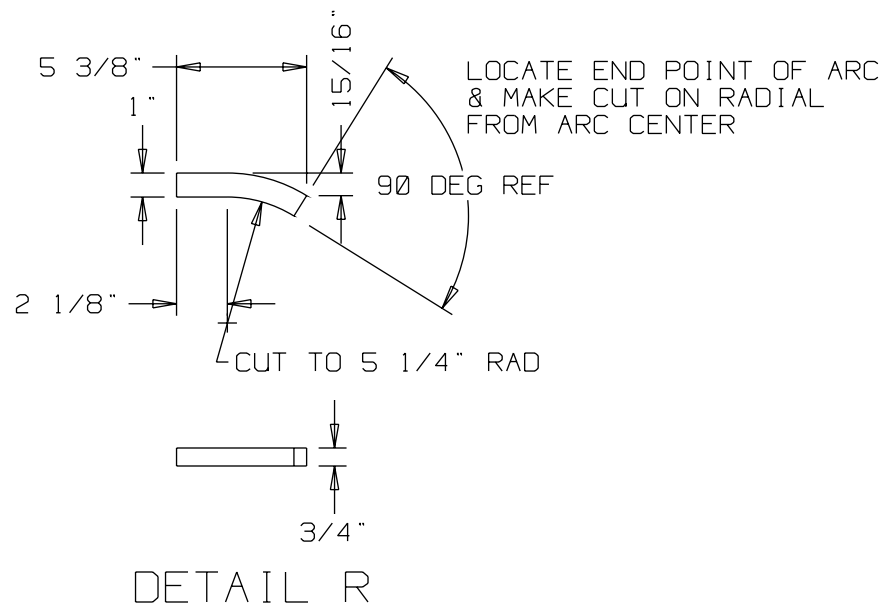
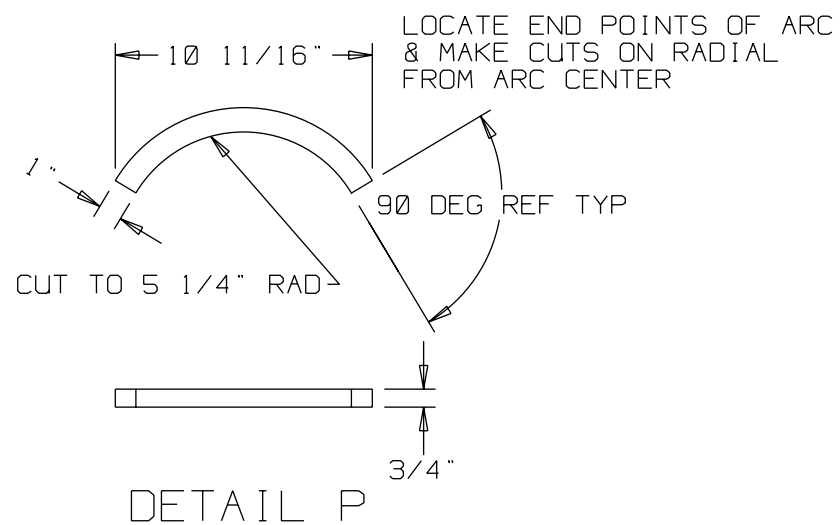
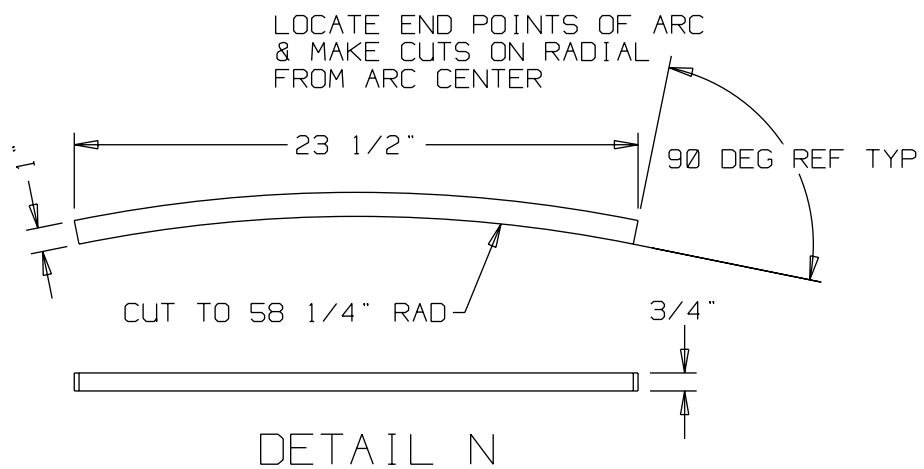


SECTION B-B

© 1995 Accelerated Christian Education, Inc.
All rights reserved. Printed in the United States of America.
This publication may not be reproduced in whole or in part
in any form or by any means without permission from
Accelerated Christian Education, Inc.

ACCELERATED CHRISTIAN EDUCATION
SUPERVISOR'S STATION
DETAIL DRAWINGS

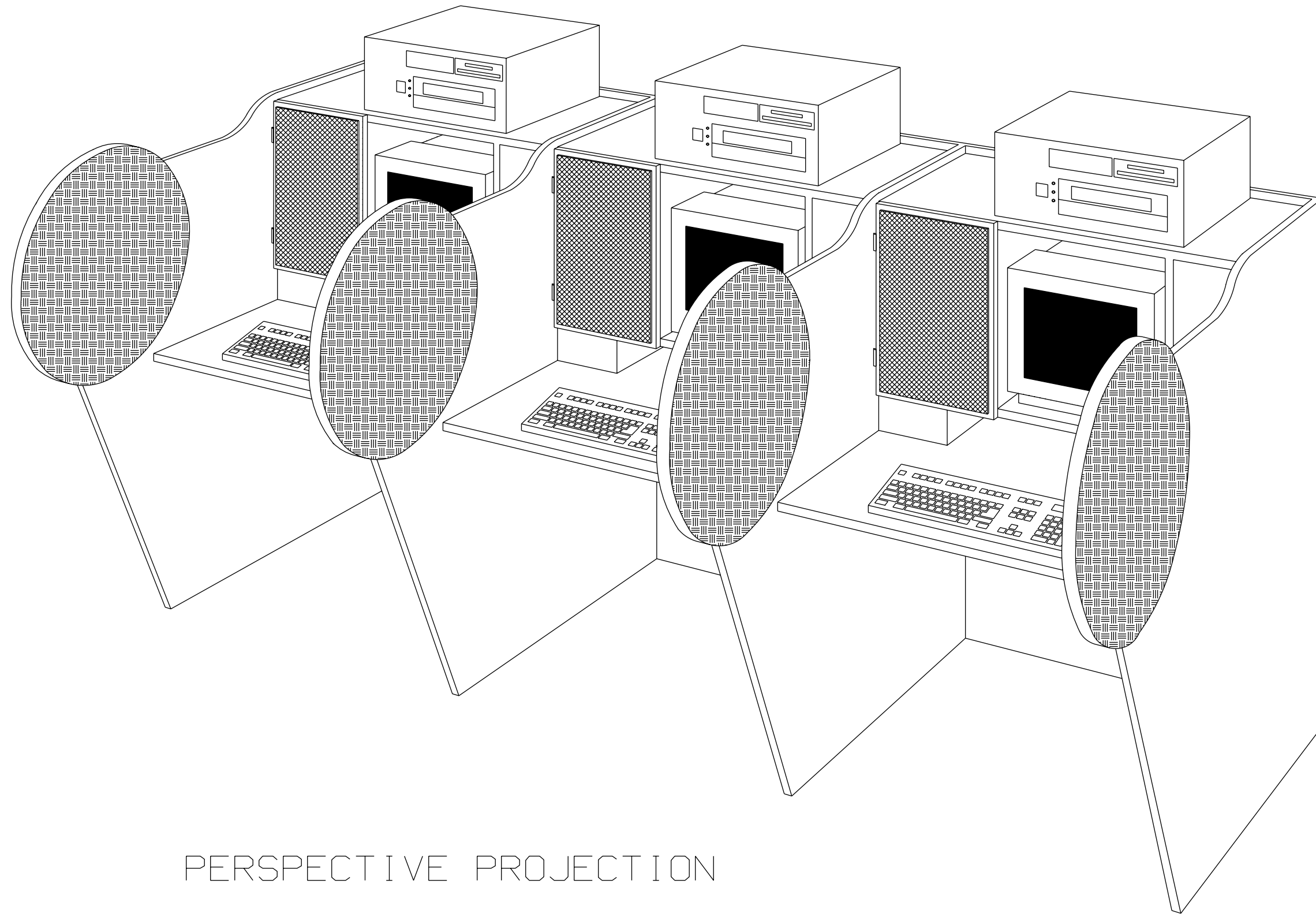
DWG. NO. 0006	REV. 950316-0	SHEET 4 OF 5
------------------	------------------	-----------------



© 1995 Accelerated Christian Education, Inc.
All rights reserved. Printed in the United States of America.
This publication may not be reproduced in whole or in part
in any form or by any means without permission from
Accelerated Christian Education, Inc.

ACCELERATED CHRISTIAN EDUCATION
SUPERVISOR'S STATION
DETAIL DRAWINGS

DWG. NO. 0006	REV. 950316-0	SHEET 5 OF 5
------------------	------------------	-----------------

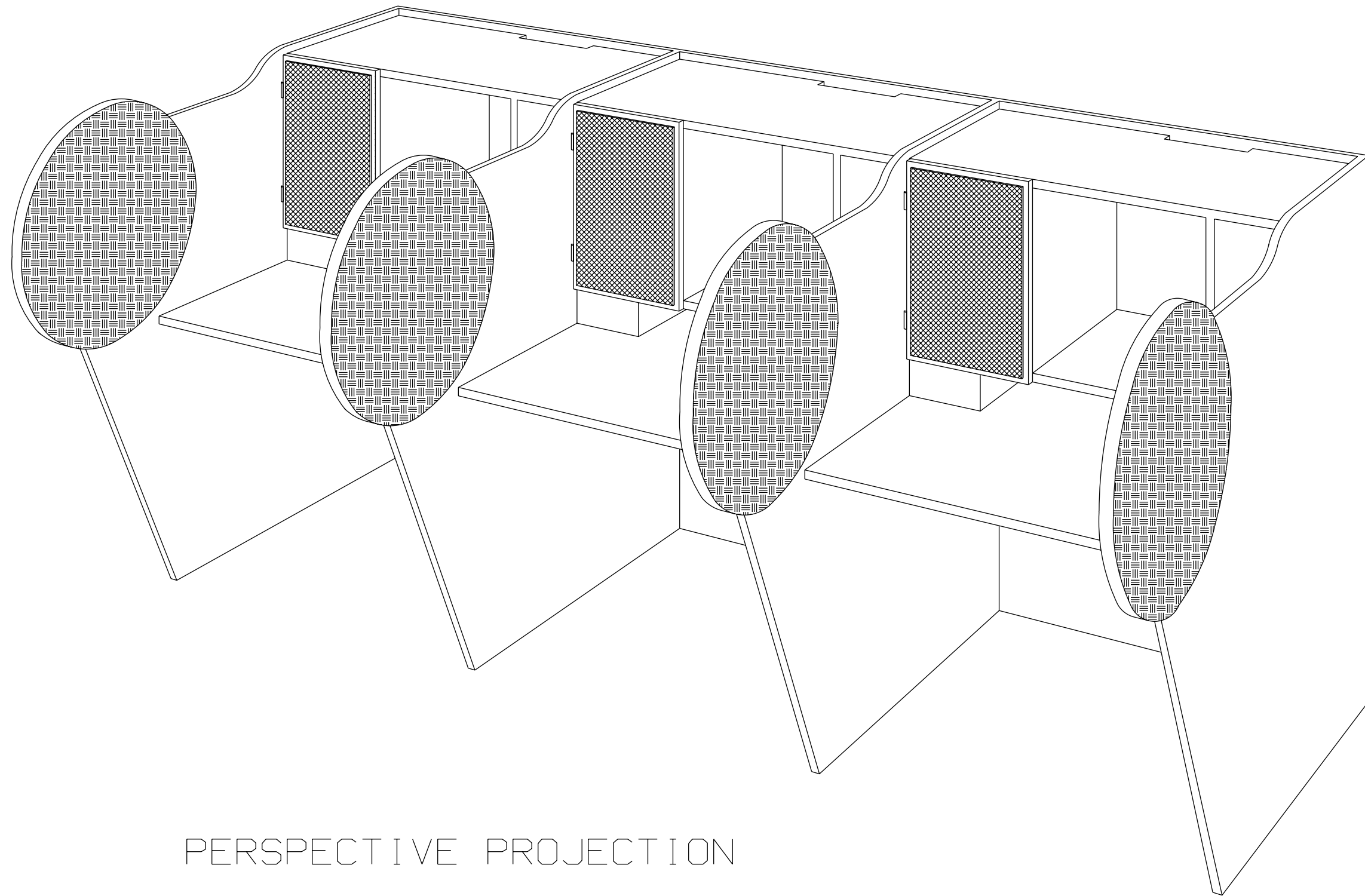


PERSPECTIVE PROJECTION

© 1995 Accelerated Christian Education, Inc.
All rights reserved. Printed in the United States of America.
This publication may not be reproduced in whole or in part
in any form or by any means without permission from
Accelerated Christian Education, Inc.

ACCELERATED CHRISTIAN EDUCATION
COMPUTER OFFICE

DWG. NO. 0002	REV. 950421-0	SHEET 1 OF 4
------------------	------------------	-----------------



PERSPECTIVE PROJECTION

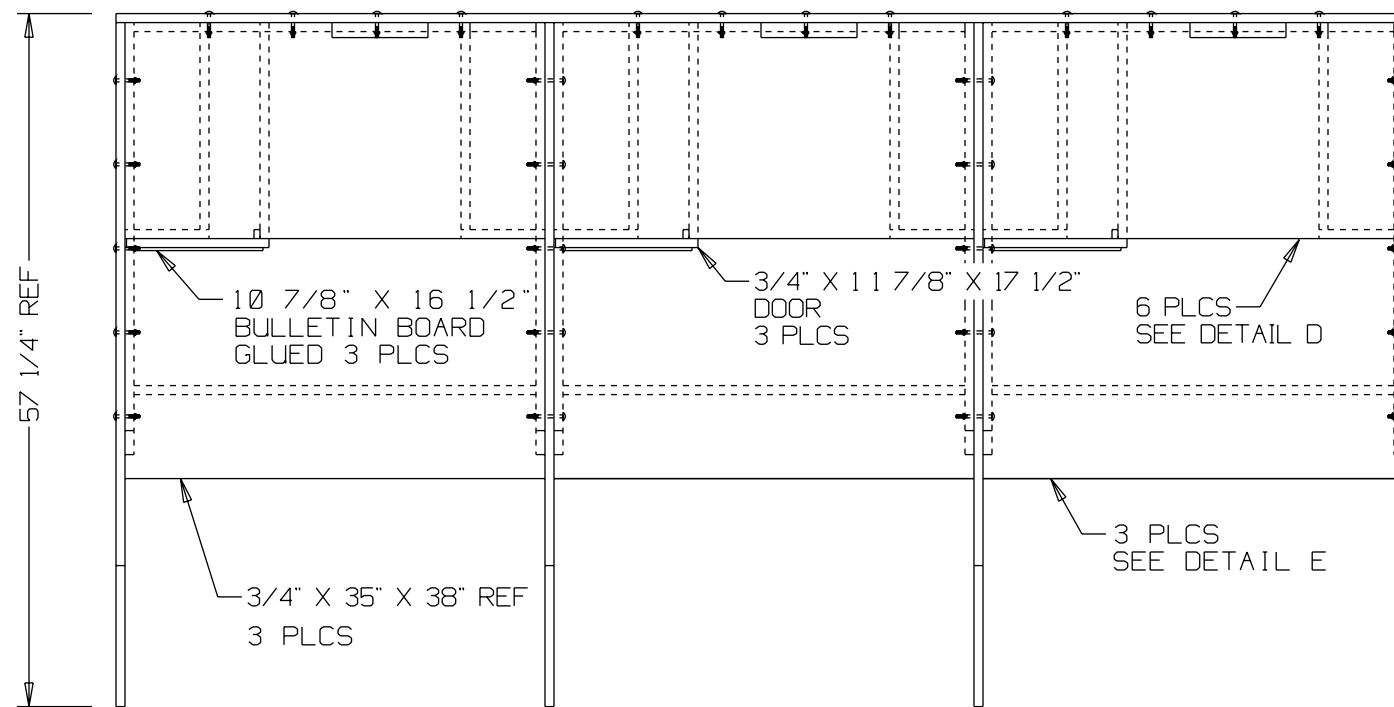
© 1995 Accelerated Christian Education, Inc.
All rights reserved. Printed in the United States of America.
This publication may not be reproduced in whole or in part
in any form or by any means without permission from
Accelerated Christian Education, Inc.

ACCELERATED CHRISTIAN EDUCATION
COMPUTER OFFICE

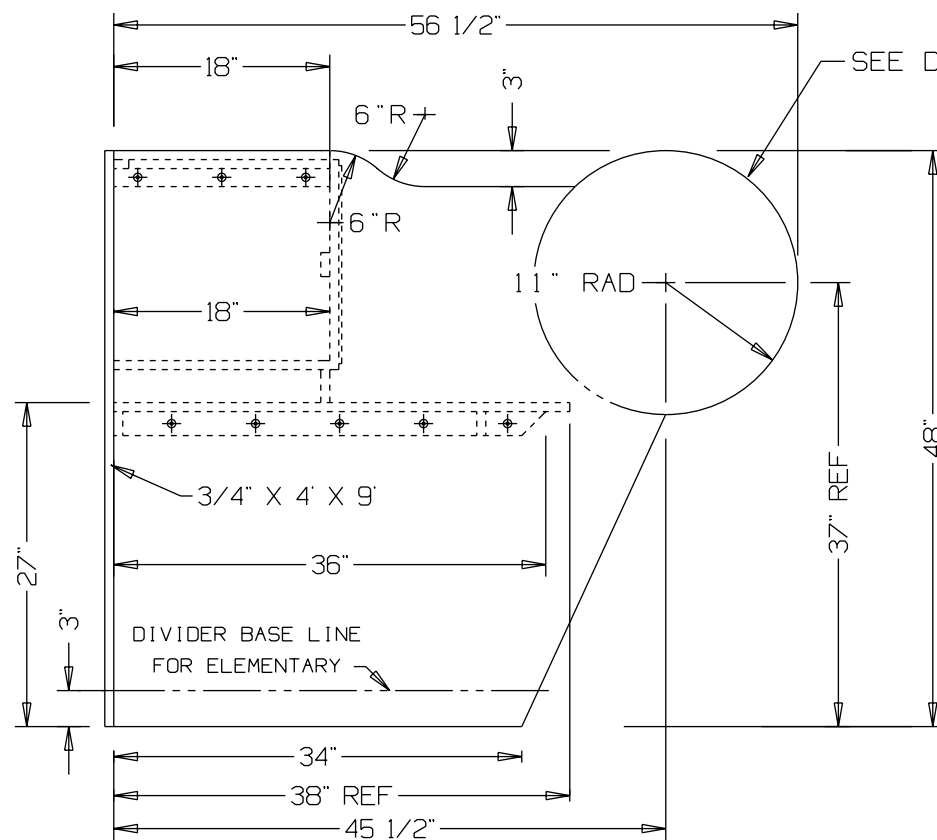
DWG. NO.	REV.	SHEET
0002	950421-0	2 OF 4

NOTES: UNLESS OTHERWISE SPECIFIED,
FASTEN ALL PARTS WITH
1 1/4" DRYWALL SCREWS

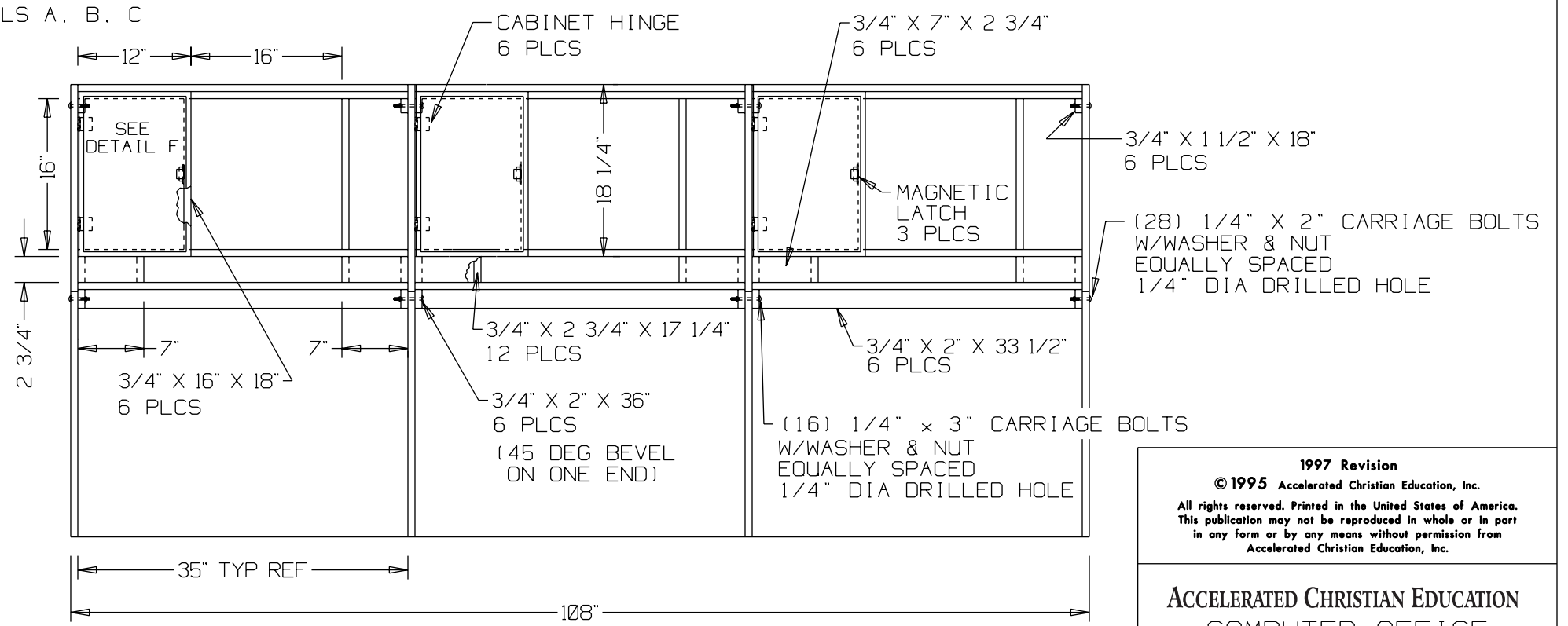
MULTIPURPOSE GLUE SUCH AS
LIQUID NAILS® MAY BE USED ON
ALL JOINTS IF OFFICE UNIT WILL
BE PERMANENT



TOP VIEW



SIDE VIEW



FRONT VIEW

1997 Revision
©1995 Accelerated Christian Education, Inc.
All rights reserved. Printed in the United States of America.
This publication may not be reproduced in whole or in part
in any form or by any means without permission from
Accelerated Christian Education, Inc.

ACCELERATED CHRISTIAN EDUCATION
COMPUTER OFFICE

DWG. NO. 0002	REV. 970514-1	SHEET 3 OF 4
------------------	------------------	-----------------

NOTE: OMIT 6" RAD FOR UNITS WITH CARPET ON DIVIDERS

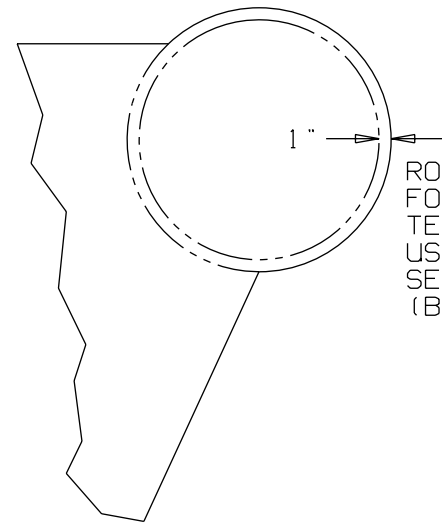
FLEXIBLE TEE MOULDING POLYETHYLENE
2493-(COLOR CODE) 1 1/4" WIDE (SEE NOTE ON SOURCE PAGE)
OUTWATER PLASTICS/INDUSTRIES, INC.
4 PASSAIC STREET
WOOD-RIDGE, NJ 07075
1-800-543-3217

CENTER SLOT FOR TEE MOULDING INSTALLATION
CUT 3/32" WIDE X 3/8" MIN DEPTH

CARPET (BOTH SIDES)
1/4" THK X 22" DIA

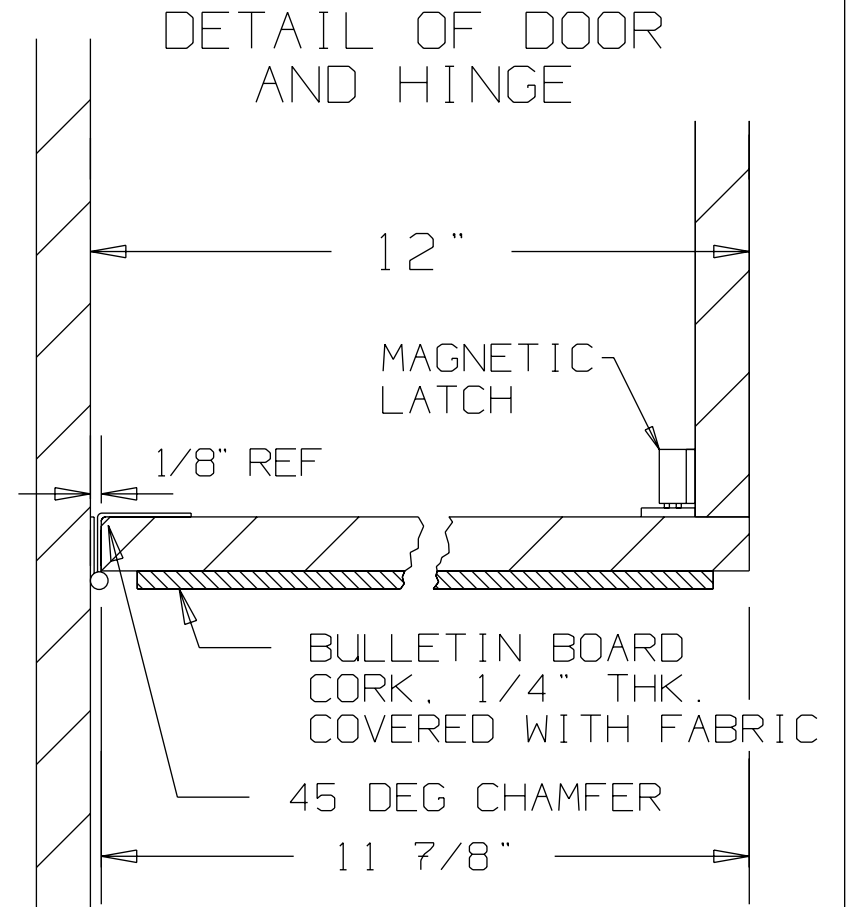
NOTE: USE MULTIPURPOSE GLUE
SUCH AS LIQUID NAILS®
TO BOND CARPET
& MOULDING

DETAIL A



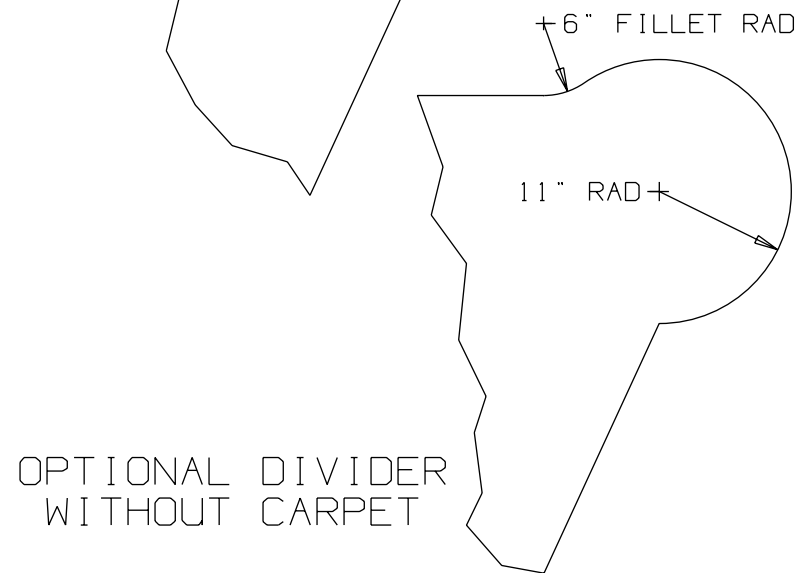
ROUT EDGE IF NECESSARY
FOR CARPET TO FIT
TEE MOULDING.
USE 1" ROUTER BLADE
SET TO DEPTH NEEDED.
(BOTH SIDES)

DETAIL B



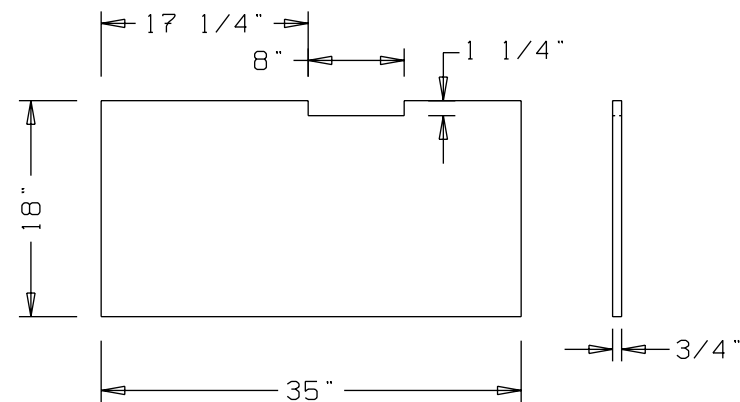
NOTE: CABINET HINGE SUCH AS
AMEROCK® #BP5988-M3

DETAIL F

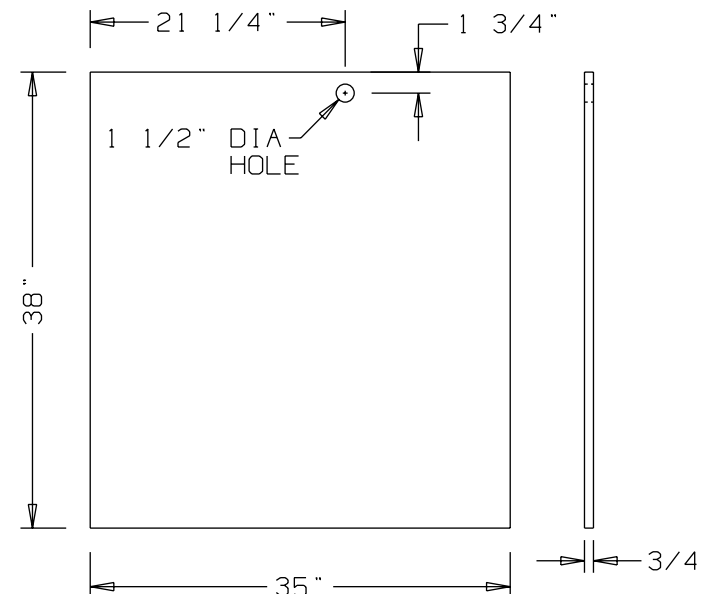


OPTIONAL DIVIDER
WITHOUT CARPET

DETAIL C

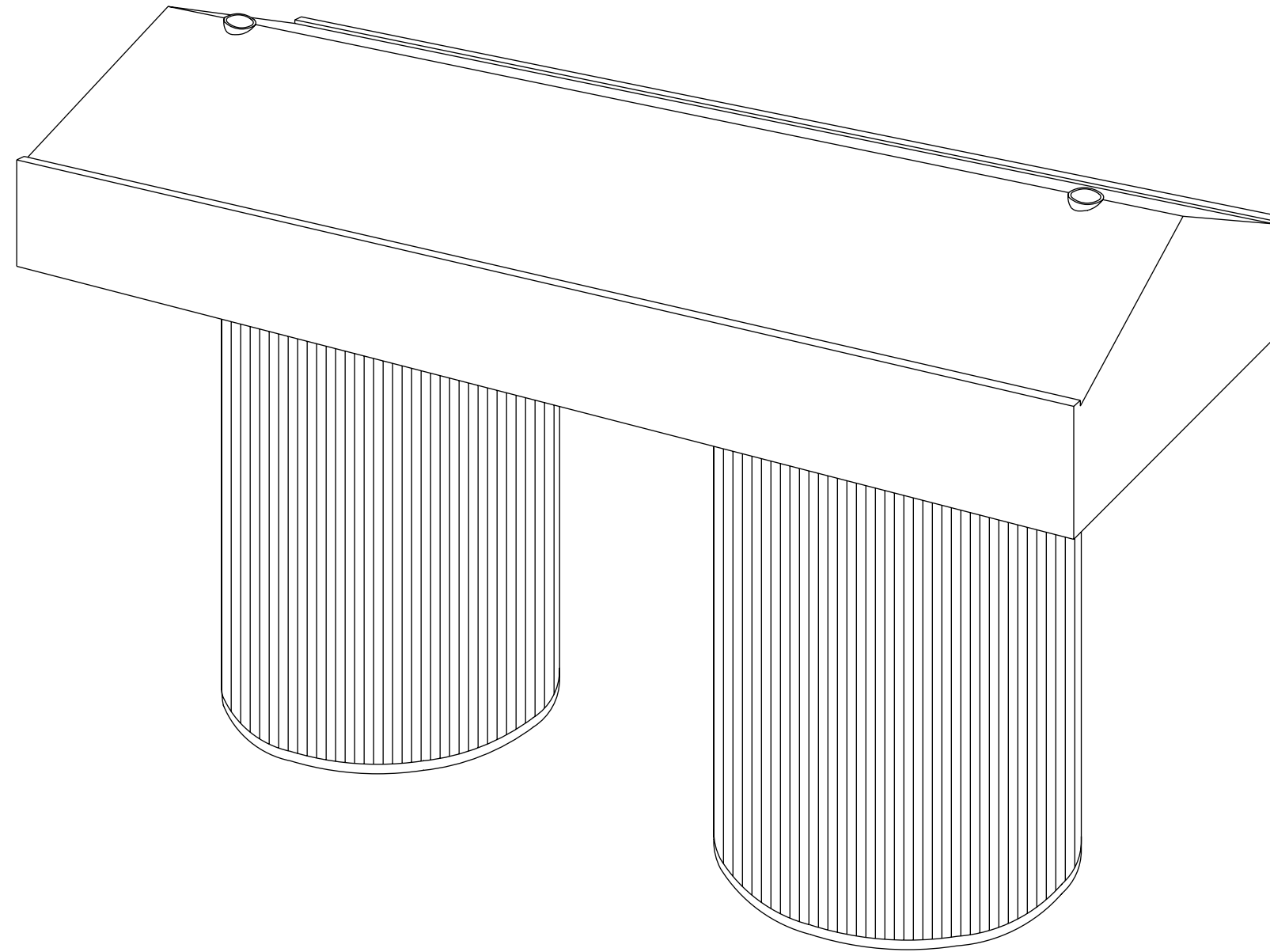


DETAIL D



DETAIL E

<p>© 1995 Accelerated Christian Education, Inc. All rights reserved. Printed in the United States of America. This publication may not be reproduced in whole or in part in any form or by any means without permission from Accelerated Christian Education, Inc.</p>		
<p>ACCELERATED CHRISTIAN EDUCATION COMPUTER OFFICE DETAIL DRAWINGS</p>		
DWG. NO. 0002	REV. 950424-0	SHEET 4 OF 4



PERSPECTIVE PROJECTION

© 1995 Accelerated Christian Education, Inc.
All rights reserved. Printed in the United States of America.
This publication may not be reproduced in whole or in part
in any form or by any means without permission from
Accelerated Christian Education, Inc.

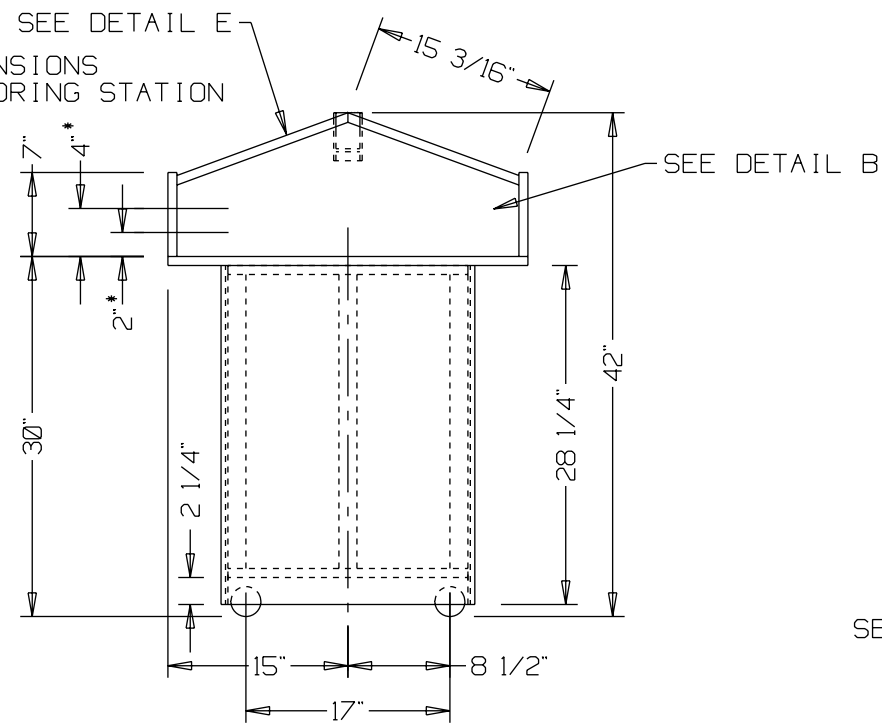
ACCELERATED CHRISTIAN EDUCATION
OPTIONAL SCORING STATION

DWG. NO. 0009	REV. 950316-0	SHEET 1 OF 3
------------------	------------------	-----------------

NOTES: UNLESS OTHERWISE SPECIFIED,
FASTEN ALL PARTS WITH
1 1/4" DRYWALL SCREWS

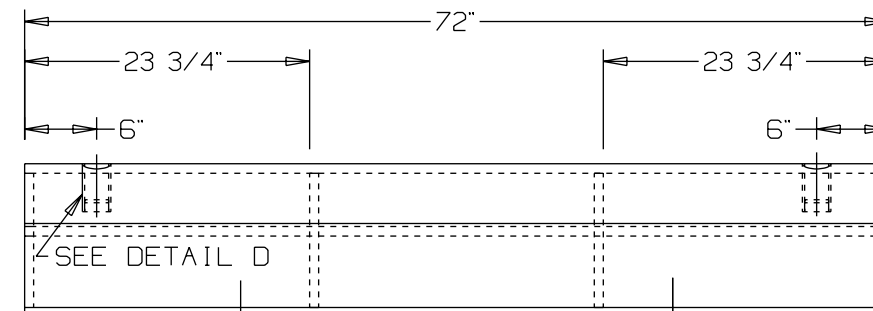
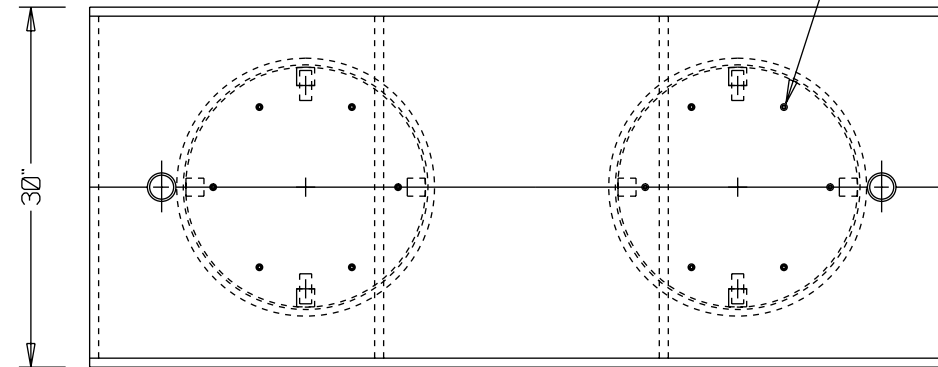
MULTIPURPOSE GLUE SUCH AS
LIQUID NAILS® MAY BE USED ON
ALL JOINTS

*OPTIONAL DIMENSIONS
FOR SHORTER SCORING STATION

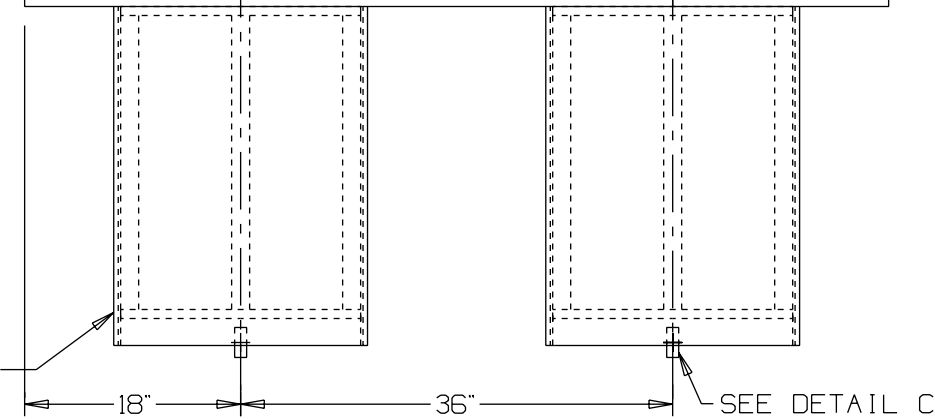


MOUNT LEGS TO TABLE BEFORE
MOUNTING SCORING SURFACE

(6) 1/4" X 1 1/2" LAG SCREWS & WASHERS
EQUALLY SPACED EACH LEG



SEE DETAIL A



© 1995 Accelerated Christian Education, Inc.
All rights reserved. Printed in the United States of America.
This publication may not be reproduced in whole or in part
in any form or by any means without permission from
Accelerated Christian Education, Inc.

ACCELERATED CHRISTIAN EDUCATION
OPTIONAL SCORING STATION

DWG. NO. 0009	REV. 950328-0	SHEET 2 OF 3
------------------	------------------	-----------------

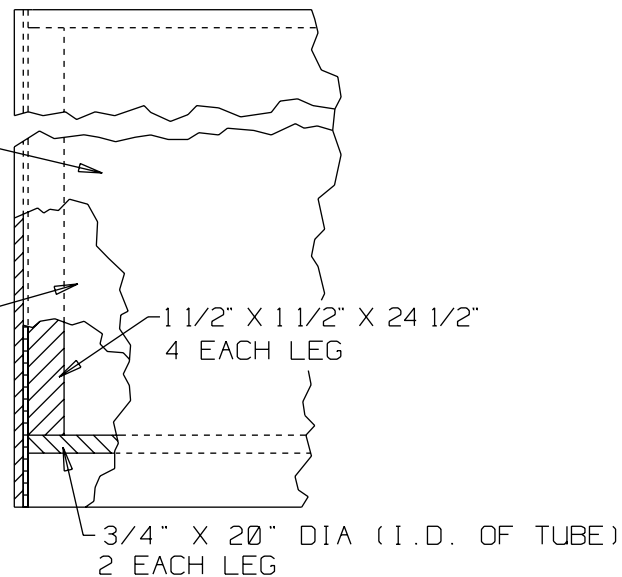
TAMBOUR
 64 1/8" LONG
 28 1/4" WIDE
 1 EACH LEG

TO ORDER CALL:
 OUTWATER PLASTICS/IND.
 4 PASSAIC ST.
 WOOD-RIDGE, NJ 07075
 1-800-543-3217

COLUMN TUBE
 20" DIA ID
 28 1/4" LONG
 1 EACH LEG

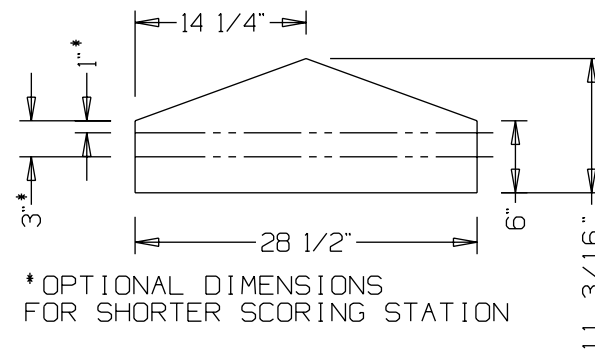
CALL FOR DISTRIBUTOR INFO.:
 JEFFERSON-SMURFITT MFG. CO.
 1-800-343-4616

OR
 SONOCO MFG. CO.
 1-800-532-8248

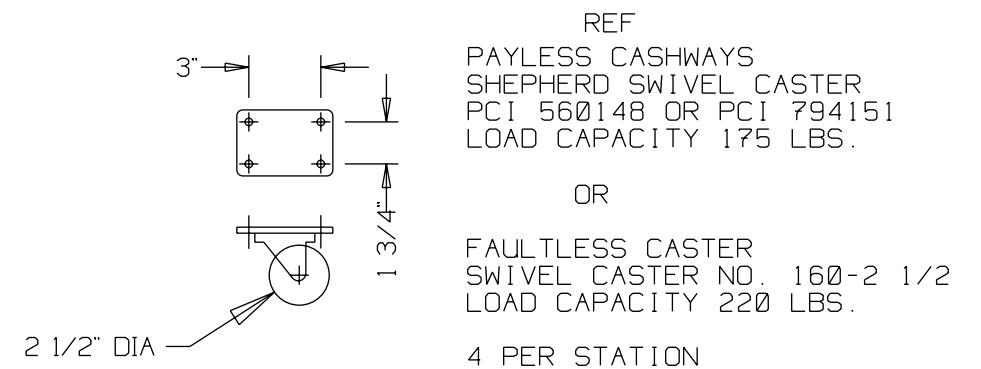


DETAIL A

SCORING SURFACE SUPPORT

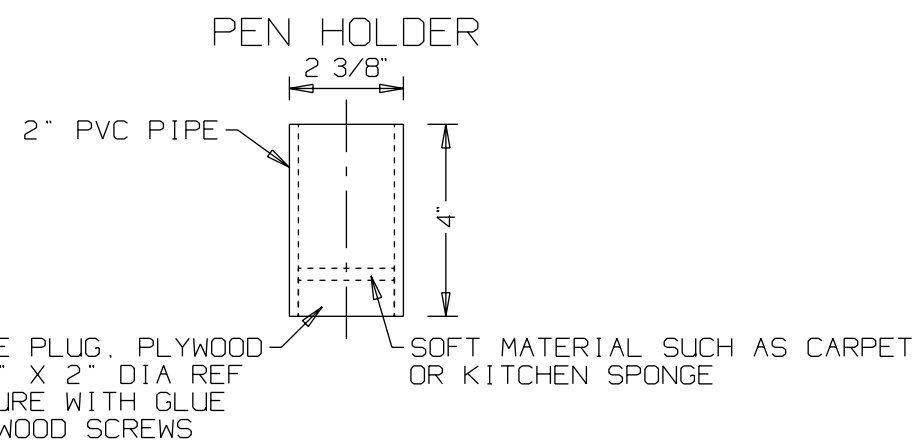


DETAIL B



DETAIL C

REF
 PAYLESS CASHWAYS
 SHEPHERD SWIVEL CASTER
 PCI 560148 OR PCI 794151
 LOAD CAPACITY 175 LBS.
 OR
 FAULTLESS CASTER
 SWIVEL CASTER NO. 160-2 1/2
 LOAD CAPACITY 220 LBS.
 4 PER STATION



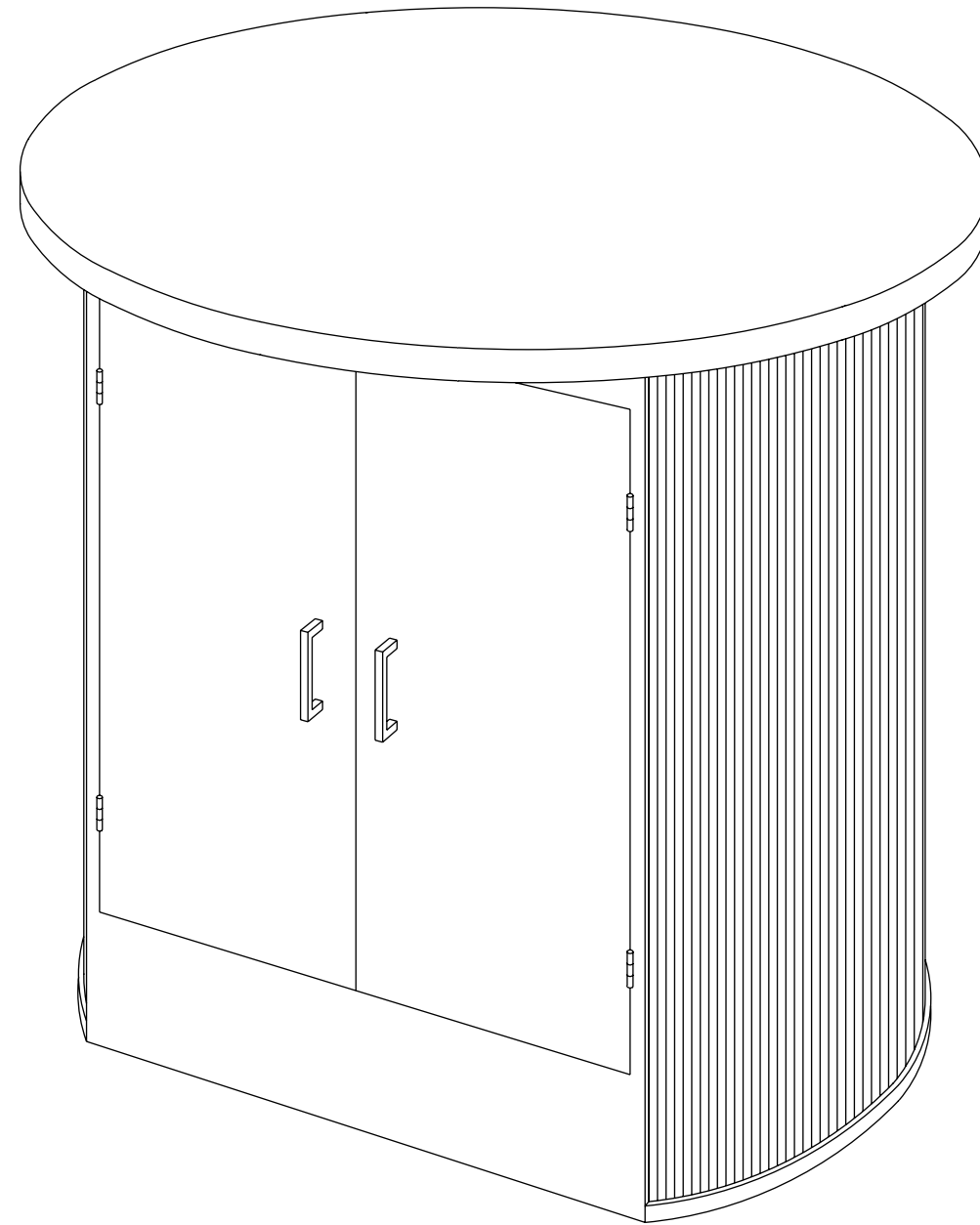
DETAIL D

DETAIL OF CUTS FOR SCORING STATION SURFACE



DETAIL E

© 1995 Accelerated Christian Education, Inc. All rights reserved. Printed in the United States of America. This publication may not be reproduced in whole or in part in any form or by any means without permission from Accelerated Christian Education, Inc.		
ACCELERATED CHRISTIAN EDUCATION OPTIONAL SCORING STATION DETAIL DRAWINGS		
DWG. NO. 0009	REV. 950316-0	SHEET 3 OF 3

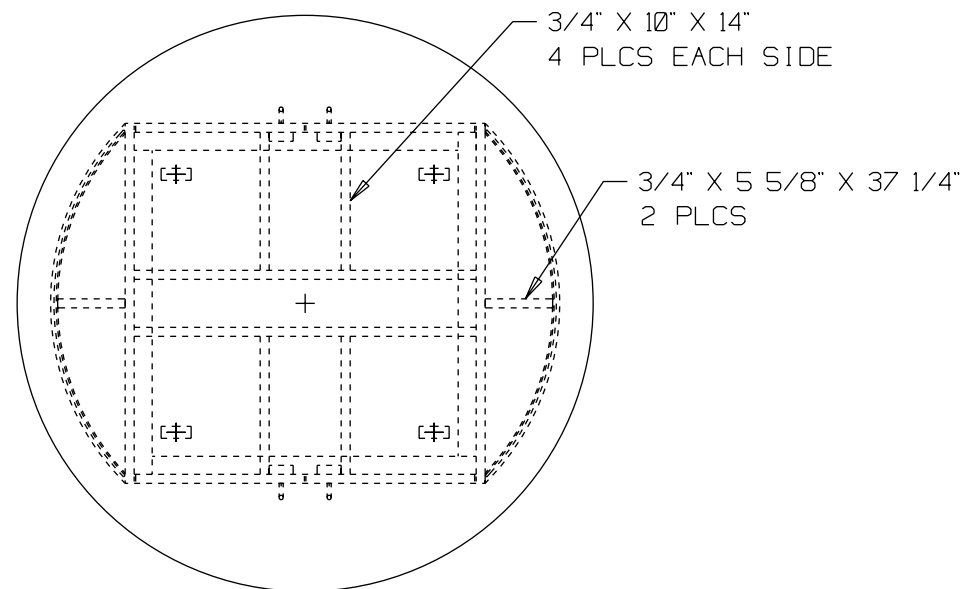


PERSPECTIVE PROJECTION

© 1995 Accelerated Christian Education, Inc.
All rights reserved. Printed in the United States of America.
This publication may not be reproduced in whole or in part
in any form or by any means without permission from
Accelerated Christian Education, Inc.

ACCELERATED CHRISTIAN EDUCATION
OPTIONAL SUPERVISOR'S
STATION

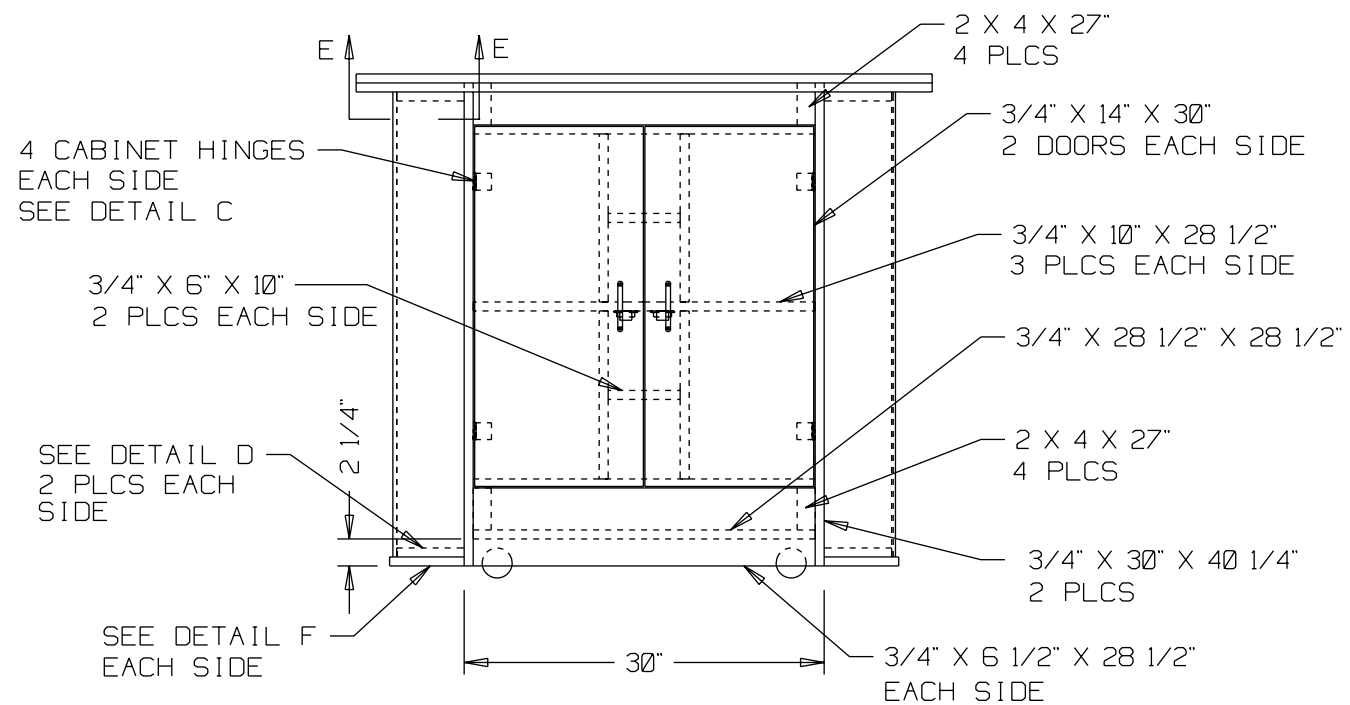
DWG. NO. 0010	REV. 950316-0	SHEET 1 OF 3
------------------	------------------	-----------------



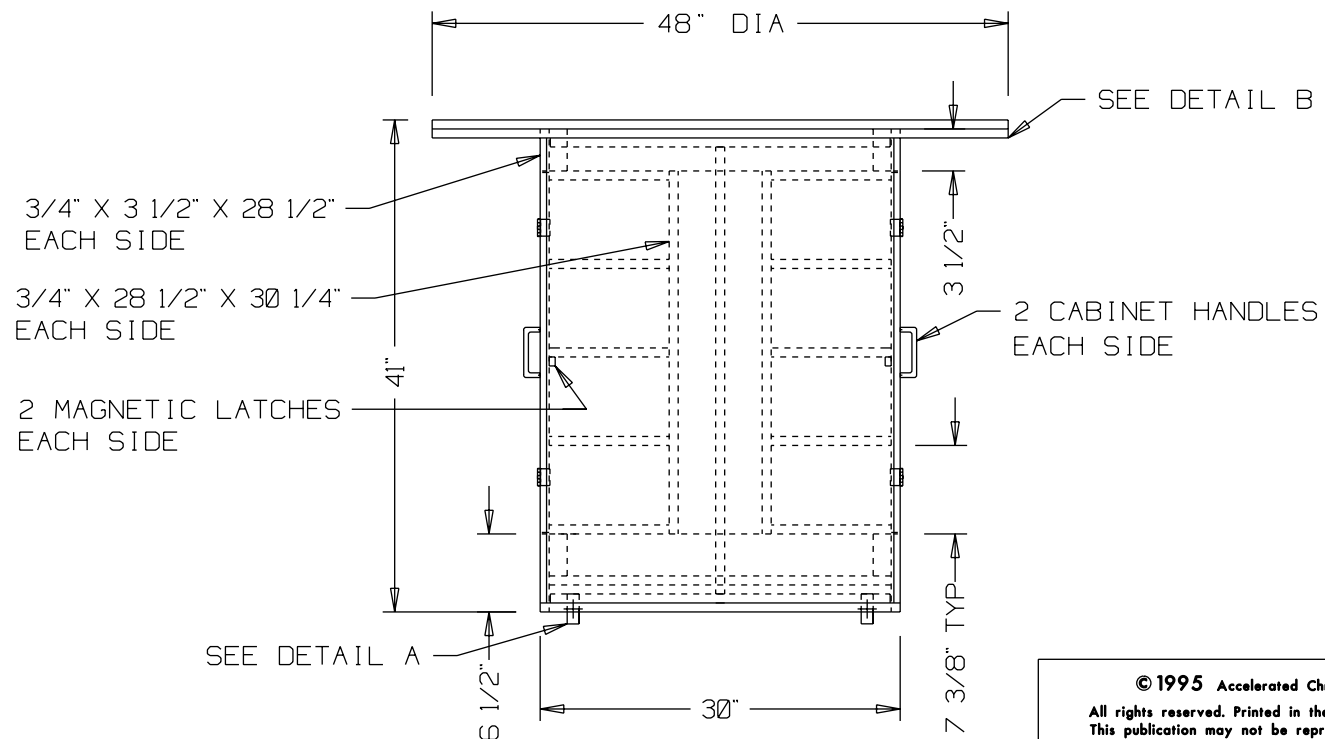
TOP VIEW

NOTES: UNLESS OTHERWISE SPECIFIED,
FASTEN ALL PARTS WITH
1 1/4" DRYWALL SCREWS

MULTIPURPOSE GLUE SUCH AS
LIQUID NAILS® MAY BE USED ON
JOINTS

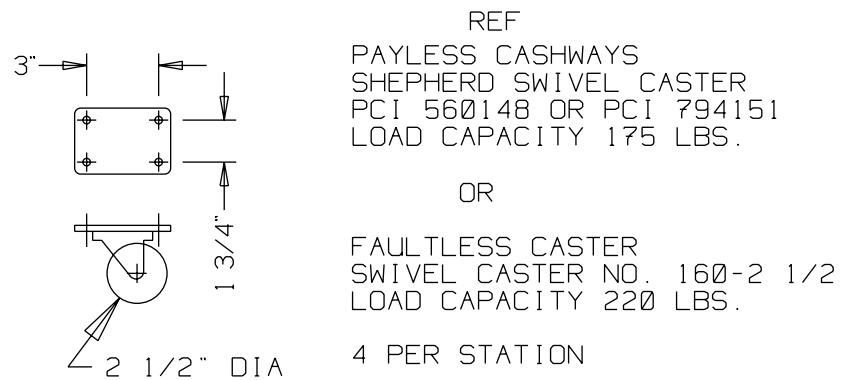


FRONT VIEW

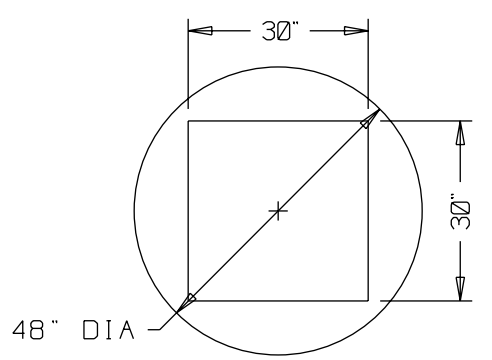


SIDE VIEW

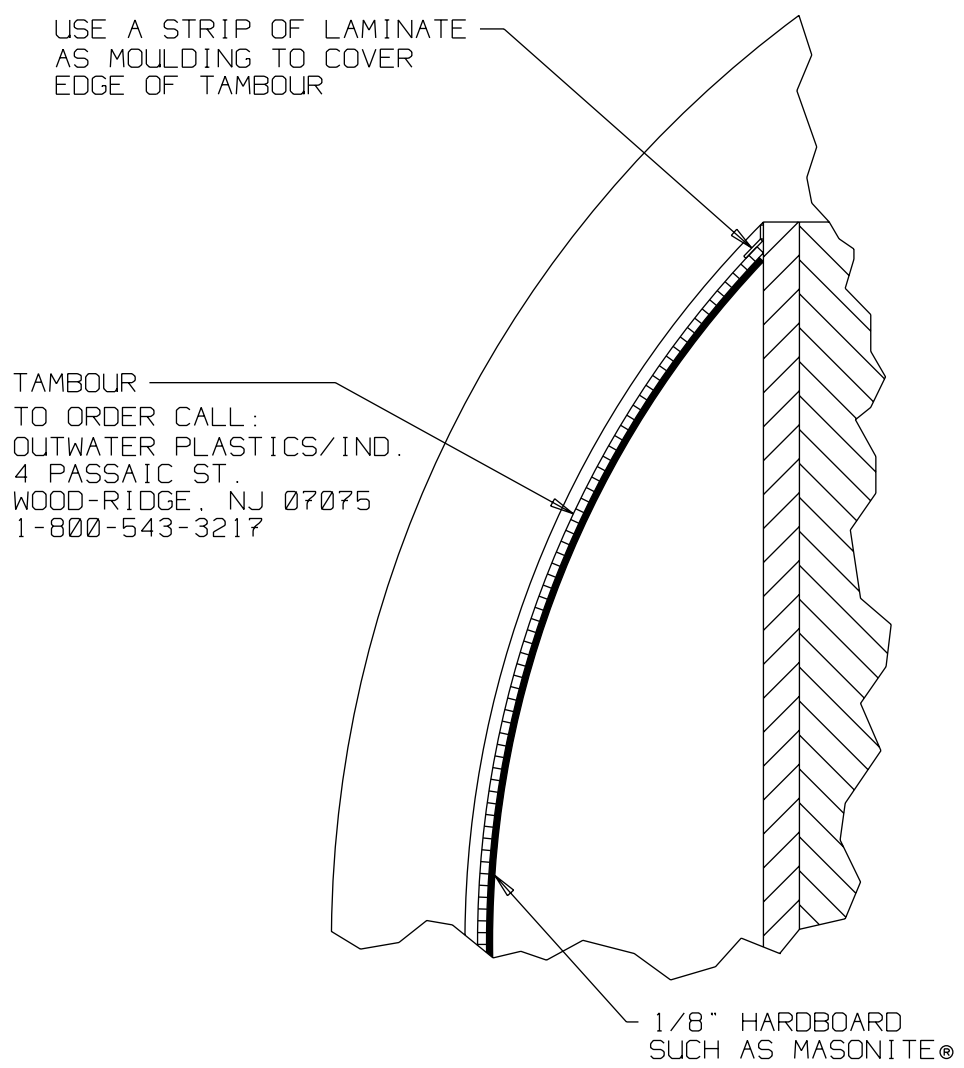
© 1995 Accelerated Christian Education, Inc. All rights reserved. Printed in the United States of America. This publication may not be reproduced in whole or in part in any form or by any means without permission from Accelerated Christian Education, Inc.		
ACCELERATED CHRISTIAN EDUCATION OPTIONAL SUPERVISOR'S STATION		
DWG. NO. 0010	REV. 950316-0	SHEET 2 OF 3



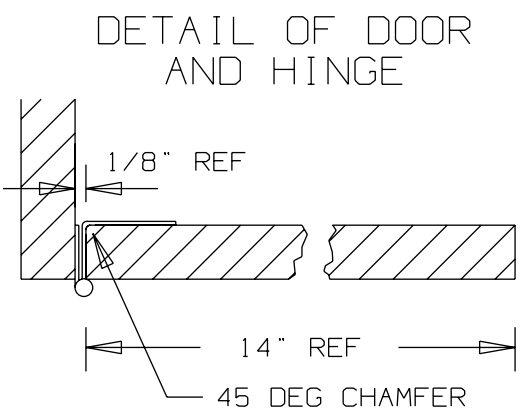
DETAIL A



DETAIL B

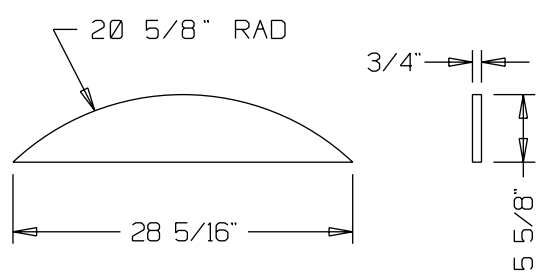


SECTION E-E

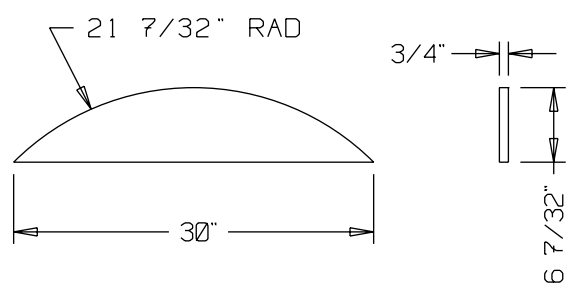


NOTE: CABINET HINGE SUCH AS
AMEROCK® #BP5988-M3

DETAIL C



DETAIL D

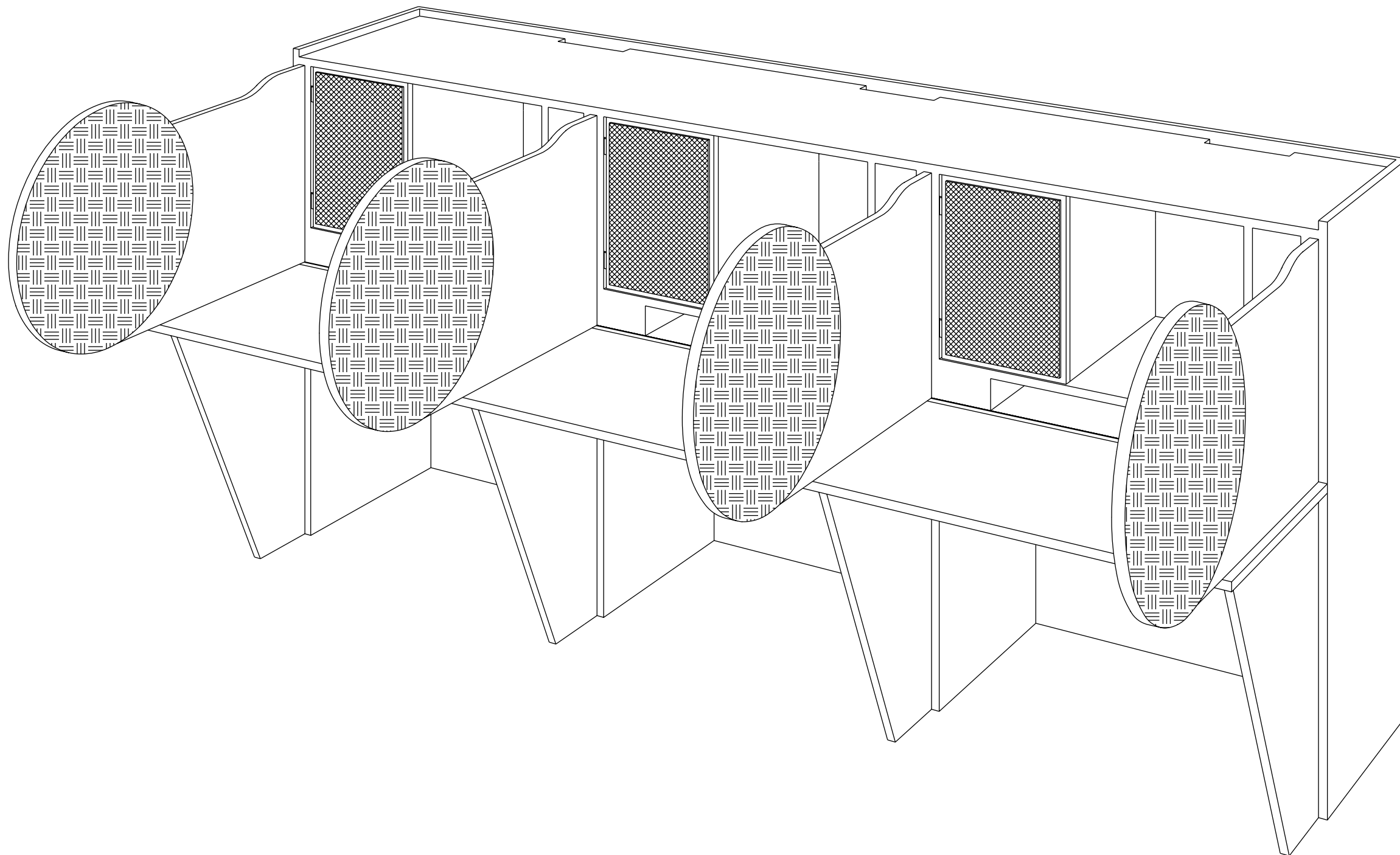


DETAIL F

© 1995 Accelerated Christian Education, Inc.
All rights reserved. Printed in the United States of America.
This publication may not be reproduced in whole or in part
in any form or by any means without permission from
Accelerated Christian Education, Inc.

ACCELERATED CHRISTIAN EDUCATION
OPTIONAL SUPERVISOR'S
STATION
DETAIL DRAWINGS

DWG. NO. 0010	REV. 950316-0	SHEET 3 OF 3
------------------	------------------	-----------------



PERSPECTIVE PROJECTION

© 1995 Accelerated Christian Education, Inc.
All rights reserved. Printed in the United States of America.
This publication may not be reproduced in whole or in part
in any form or by any means without permission from
Accelerated Christian Education, Inc.

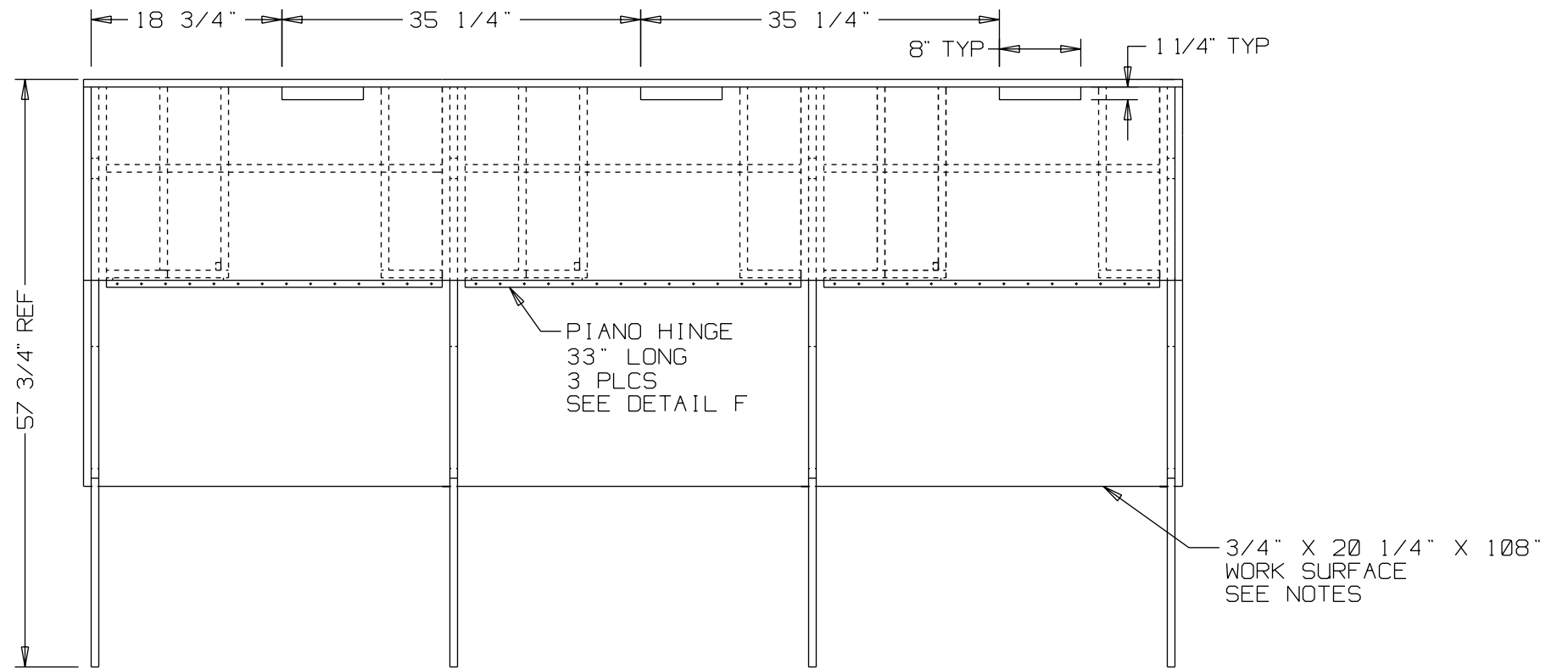
ACCELERATED CHRISTIAN EDUCATION
OPTIONAL COMPUTER OFFICE

DWG. NO.	REV.	SHEET
0007	950421-0	1 OF 4

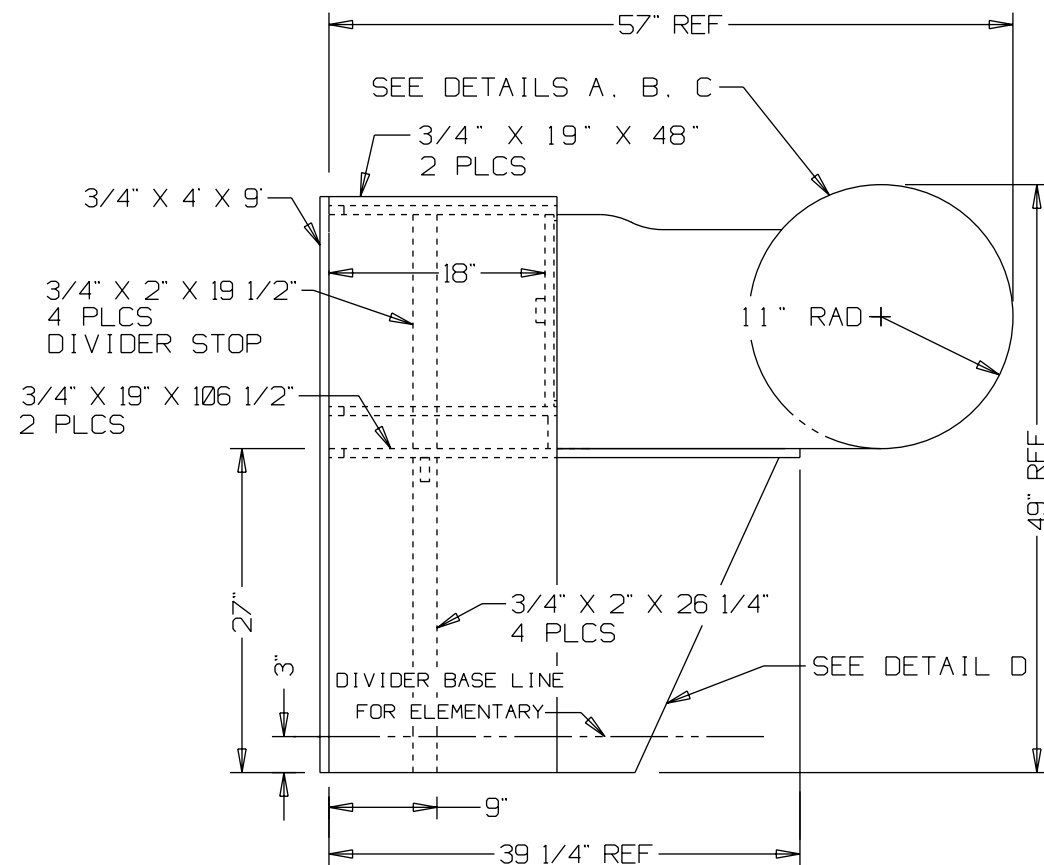
NOTES: UNLESS OTHERWISE SPECIFIED,
FASTEN ALL PARTS WITH
1 1/4" DRYWALL SCREWS

MULTIPURPOSE GLUE SUCH AS
LIQUID NAILS® MAY BE USED ON
ALL JOINTS IF OFFICE UNIT WILL
BE PERMANENT

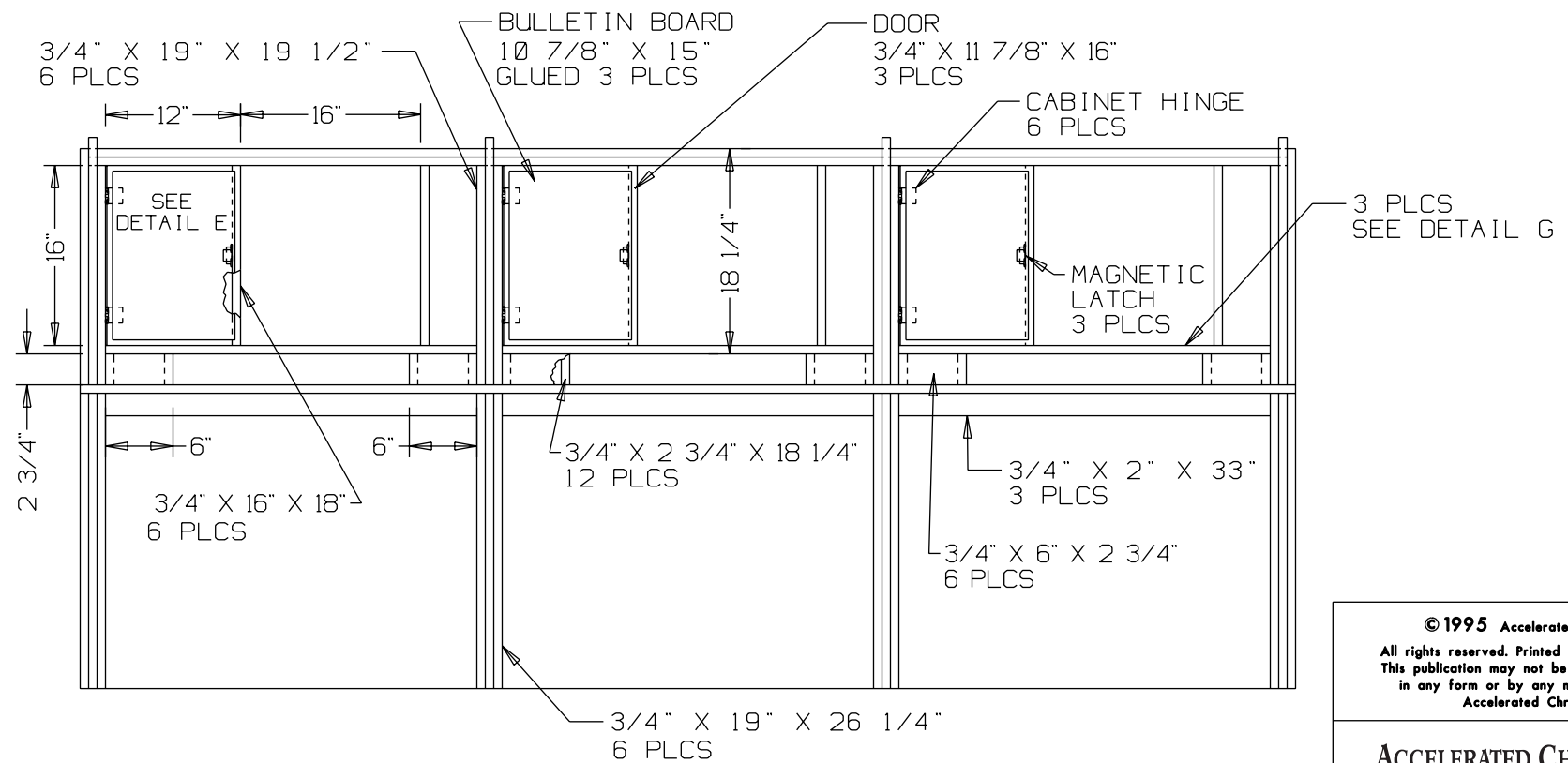
TO SECURE WORK SURFACE IN THE
CLOSED POSITION, USE HOOK AND EYE,
MAGNETIC LATCH, OR EQUIVALENT



TOP VIEW



SIDE VIEW



FRONT VIEW

© 1995 Accelerated Christian Education, Inc.
All rights reserved. Printed in the United States of America.
This publication may not be reproduced in whole or in part
in any form or by any means without permission from
Accelerated Christian Education, Inc.

ACCELERATED CHRISTIAN EDUCATION
OPTIONAL COMPUTER OFFICE

DWG. NO. 0007	REV. 950421-0	SHEET 2 OF 4
------------------	------------------	-----------------

NOTE: OMIT 6" RAD FOR UNITS WITH CARPET ON DIVIDERS

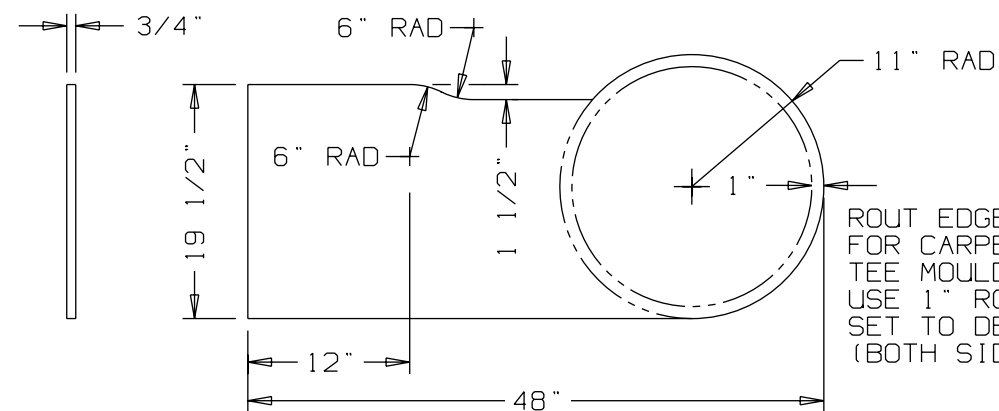
FLEXIBLE TEE MOULDING POLYETHYLENE
105-1316 (1 3/16" WIDE)
OUTWATER PLASTICS/INDUSTRIES, INC.
4 PASSAIC STREET
WOOD-RIDGE, NJ 07075
1-800-543-3217

CENTER SLOT FOR TEE MOULDING INSTALLATION
CUT 3/32" WIDE X 3/8" MIN DEPTH

CARPET (BOTH SIDES)
1/4" THK X 22" DIA

NOTE: USE MULTIPURPOSE GLUE
SUCH AS LIQUID NAILS®
TO BOND CARPET
& MOULDING

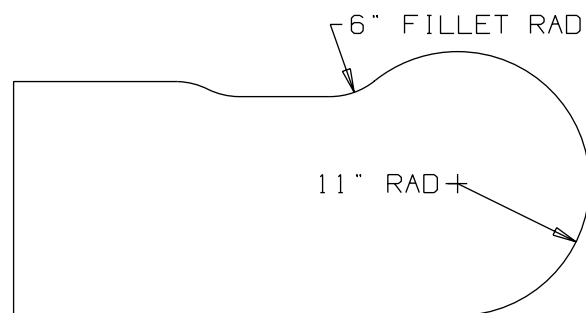
DETAIL A



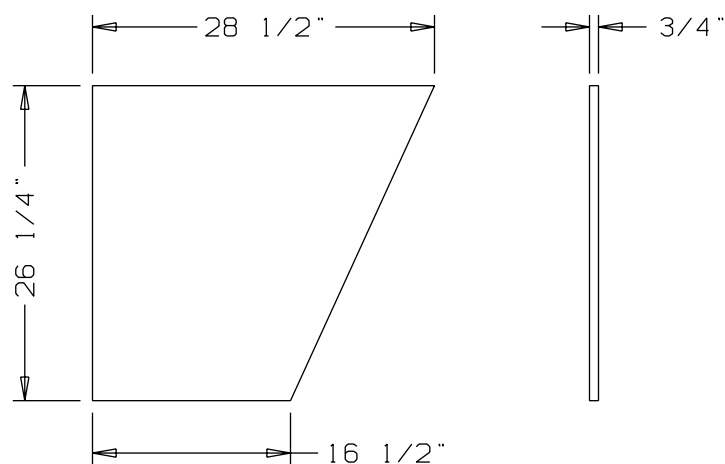
ROUT EDGE IF NECESSARY
FOR CARPET TO FIT
TEE MOULDING.
USE 1" ROUTER BLADE
SET TO DEPTH NEEDED.
(BOTH SIDES)

DETAIL B

OPTIONAL DIVIDER
WITHOUT CARPET



DETAIL C

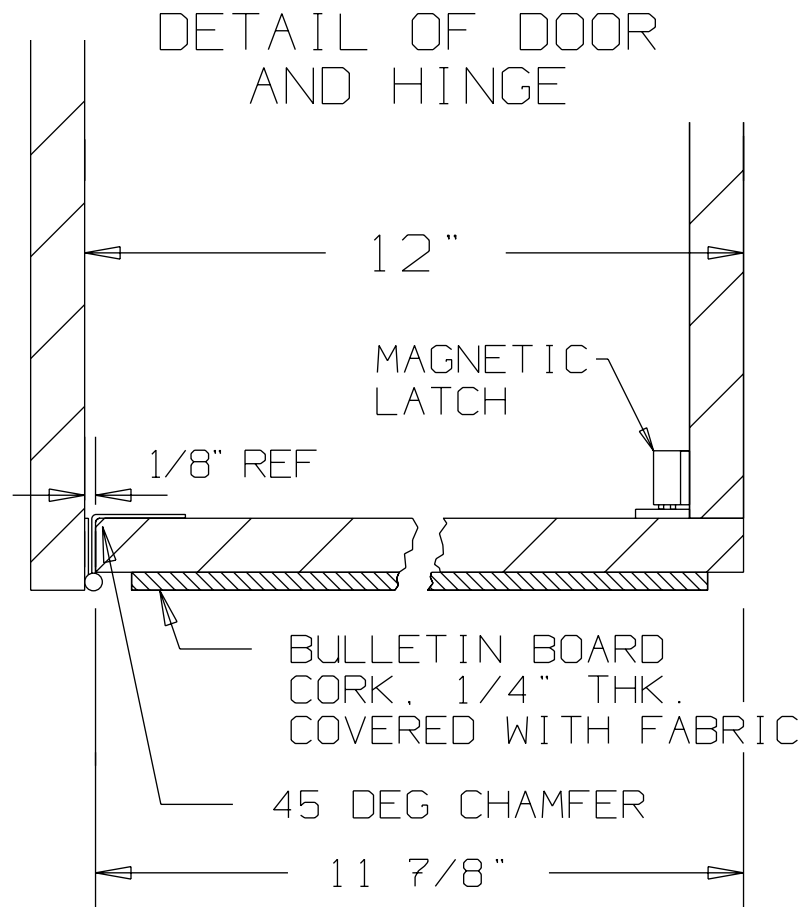


DETAIL D

© 1995 Accelerated Christian Education, Inc.
All rights reserved. Printed in the United States of America.
This publication may not be reproduced in whole or in part
in any form or by any means without permission from
Accelerated Christian Education, Inc.

ACCELERATED CHRISTIAN EDUCATION
OPTIONAL COMPUTER OFFICE
DETAIL DRAWINGS

DWG. NO. 0007	REV. 950331-0	SHEET 3 OF 4
------------------	------------------	-----------------



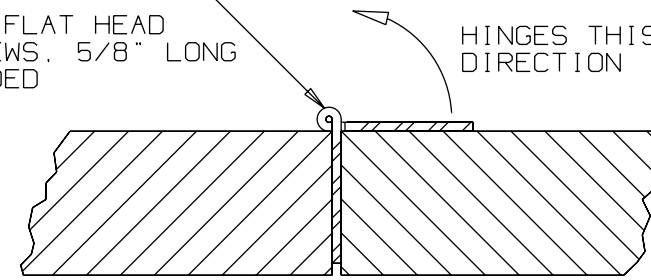
NOTE: CABINET HINGE SUCH AS AMEROCK® #BP5988-M3

DETAIL E

PIANO HINGE, 1 1/2" OPEN SIZE
33" LONG - 3 PLCS

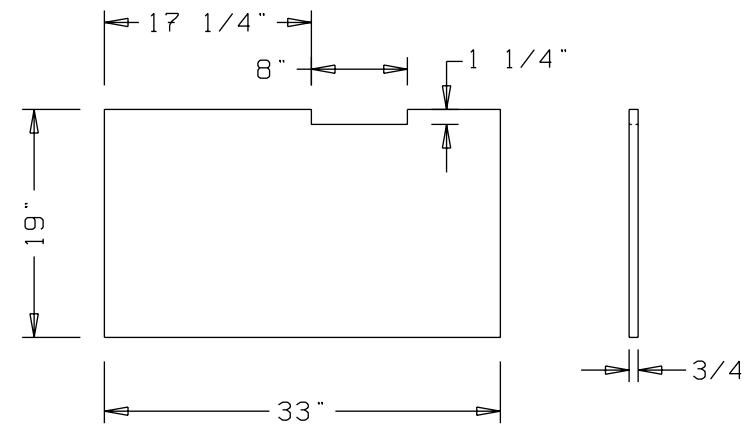
NOTE: PHILLIPS FLAT HEAD
MTG. SCREWS, 5/8" LONG
RECOMMENDED

HINGES THIS
DIRECTION



PIANO HINGE MOUNTING

DETAIL F

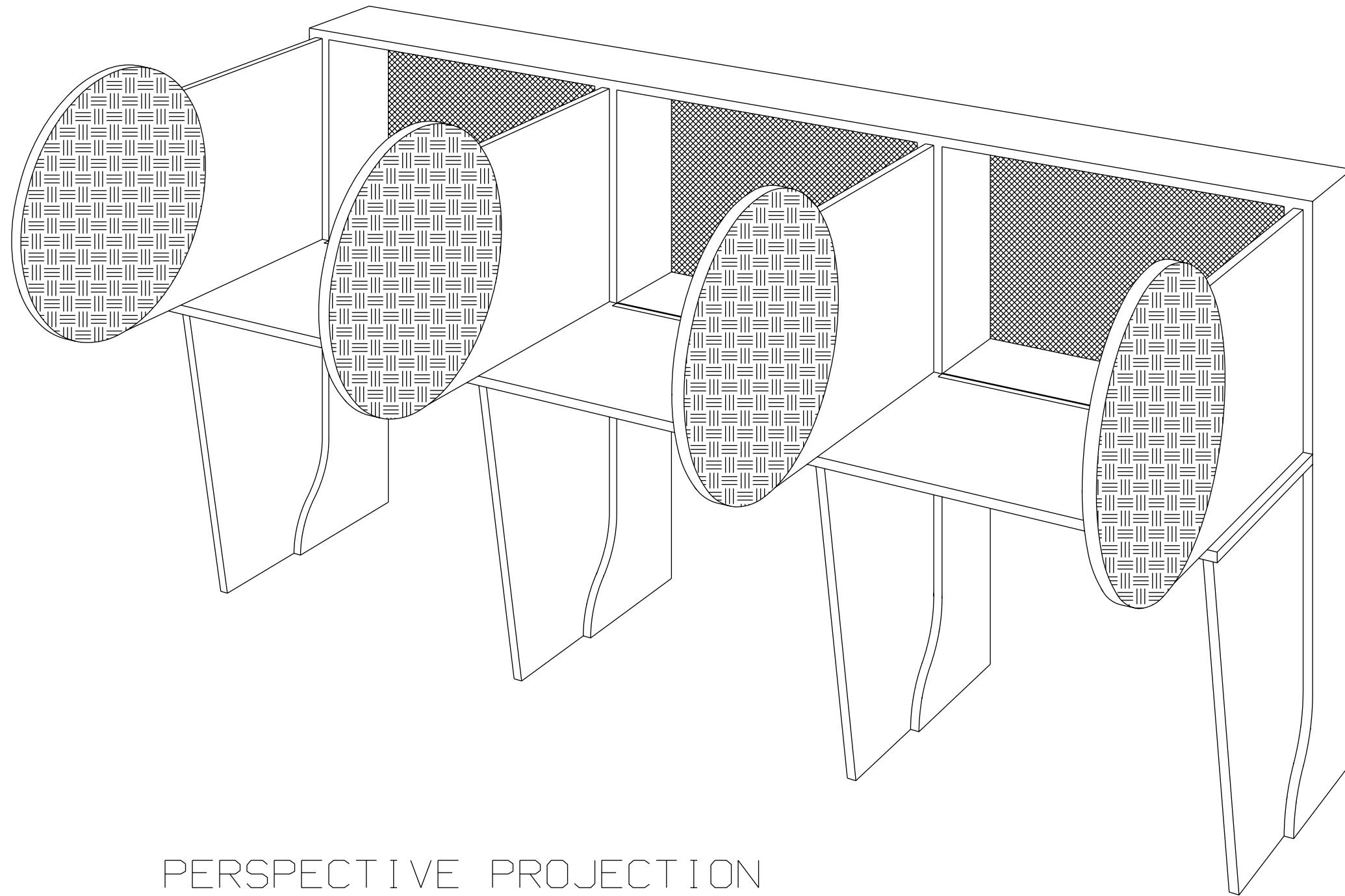


DETAIL G

© 1995 Accelerated Christian Education, Inc.
All rights reserved. Printed in the United States of America.
This publication may not be reproduced in whole or in part
in any form or by any means without permission from
Accelerated Christian Education, Inc.

ACCELERATED CHRISTIAN EDUCATION
OPTIONAL COMPUTER OFFICE
DETAIL DRAWINGS

DWG. NO. 0007	REV. 950421-0	SHEET 4 OF 4
------------------	------------------	-----------------



PERSPECTIVE PROJECTION

© 1995 Accelerated Christian Education, Inc.
All rights reserved. Printed in the United States of America.
This publication may not be reproduced in whole or in part
in any form or by any means without permission from
Accelerated Christian Education, Inc.

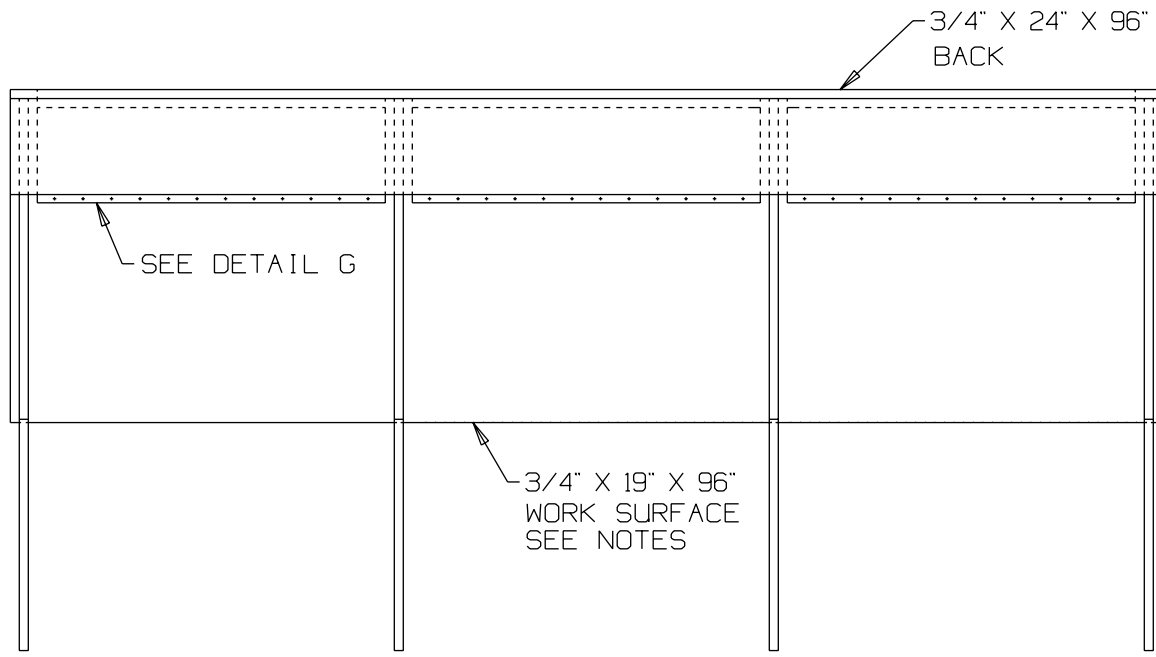
ACCELERATED CHRISTIAN EDUCATION
OPTIONAL STUDENT OFFICE

DWG. NO. 0008	REV. 950424-0	SHEET 1 OF 4
------------------	------------------	-----------------

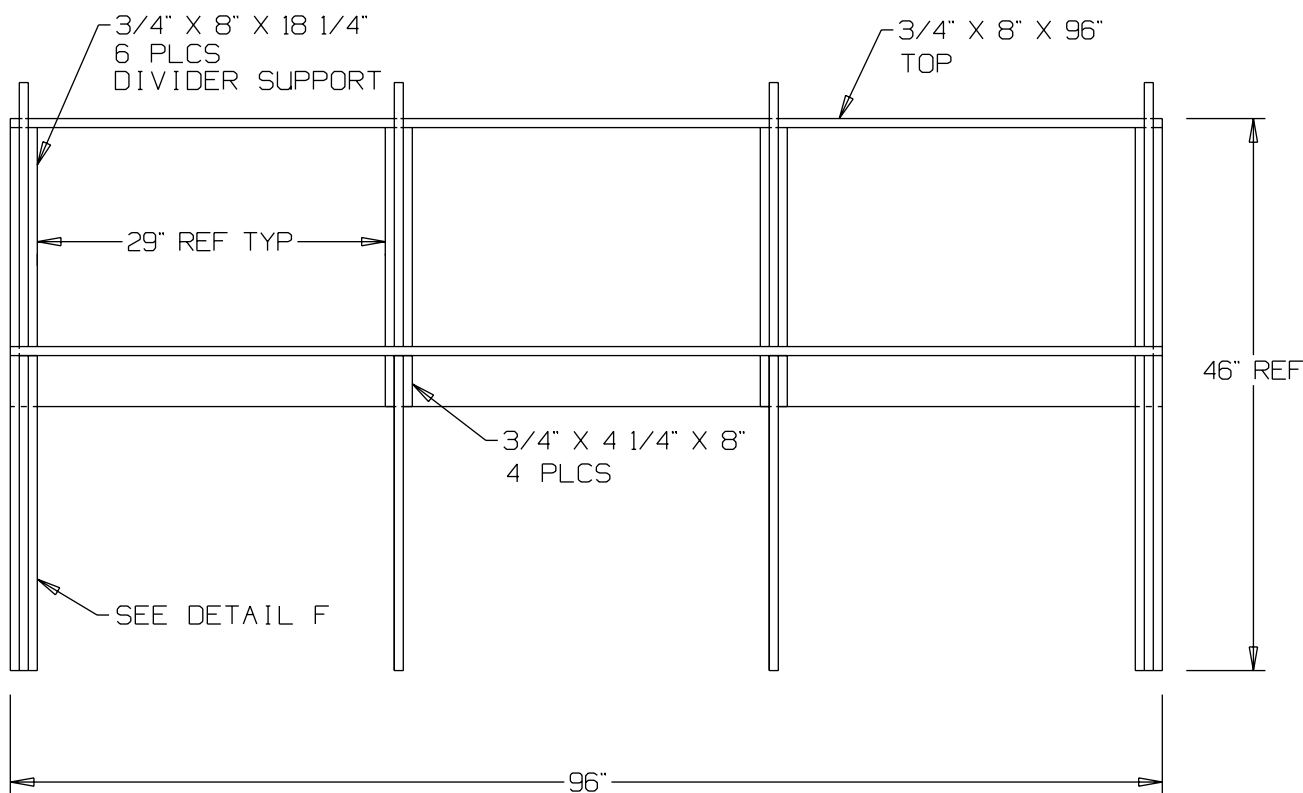
NOTES: UNLESS OTHERWISE SPECIFIED,
FASTEN ALL PARTS WITH
1 1/4" DRYWALL SCREWS

MULTIPURPOSE GLUE SUCH AS
LIQUID NAILS® MAY BE USED ON
ALL JOINTS IF OFFICE UNIT WILL
BE PERMANENT

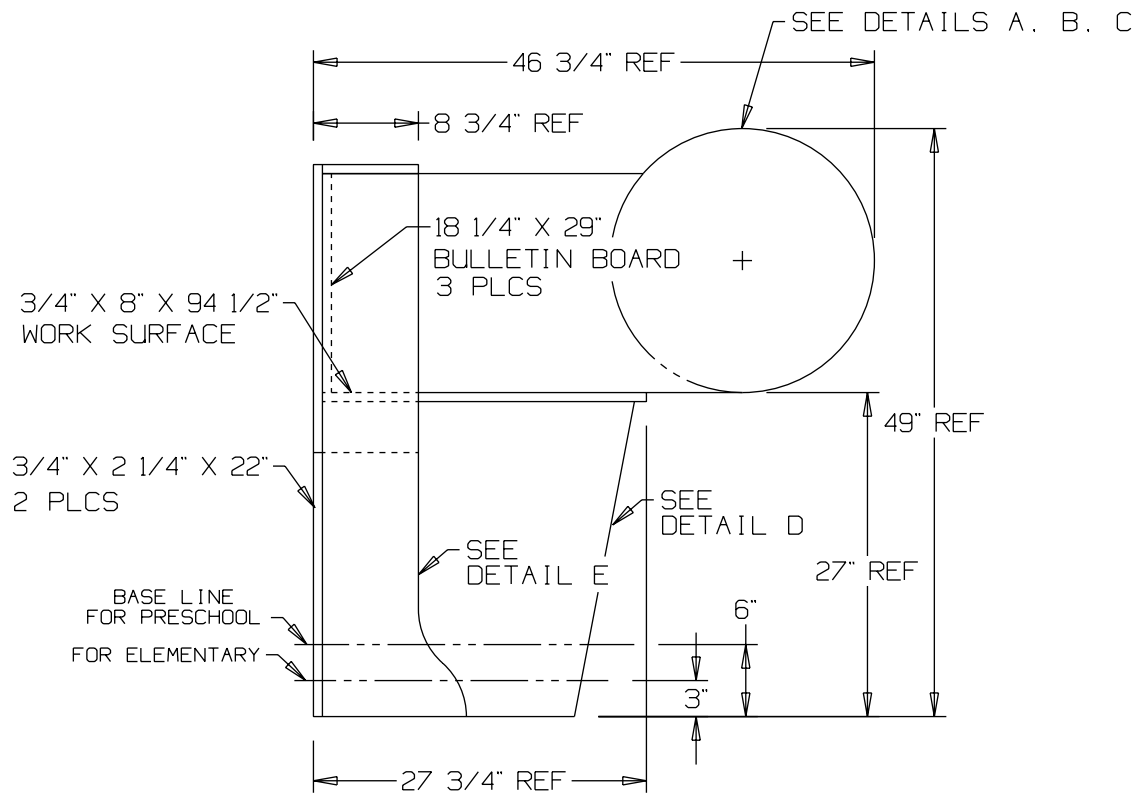
TO SECURE WORK SURFACE IN THE
CLOSED POSITION, USE HOOK AND EYE,
MAGNETIC LATCH, OR EQUIVALENT



TOP VIEW

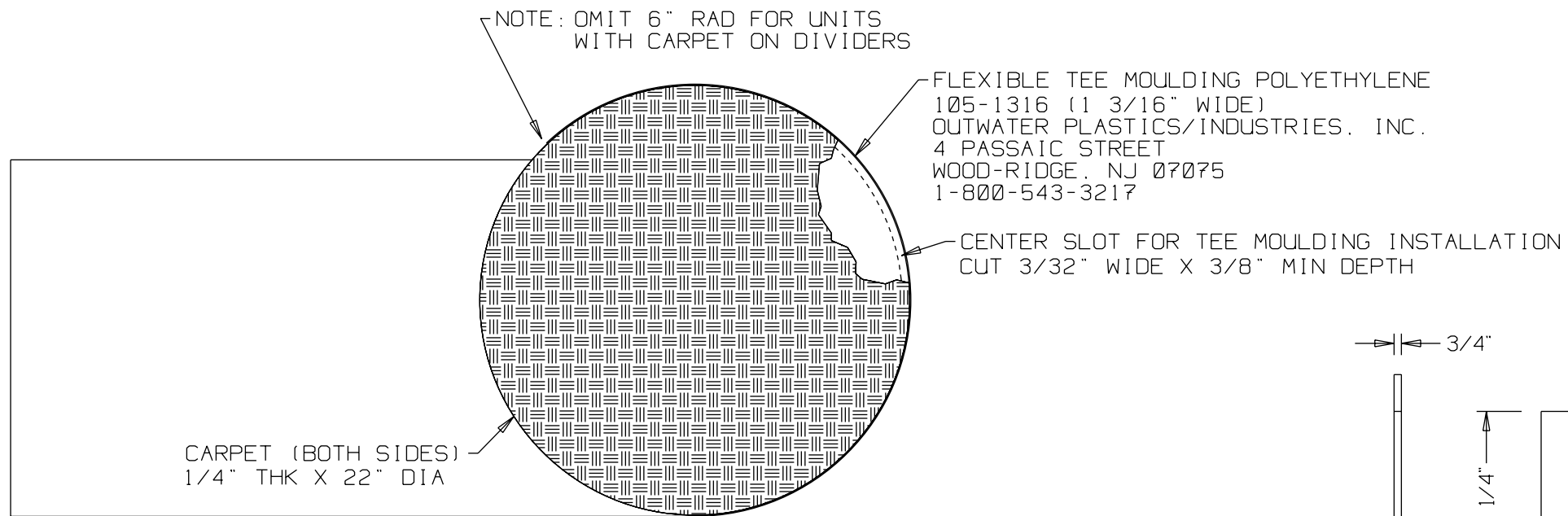


FRONT VIEW



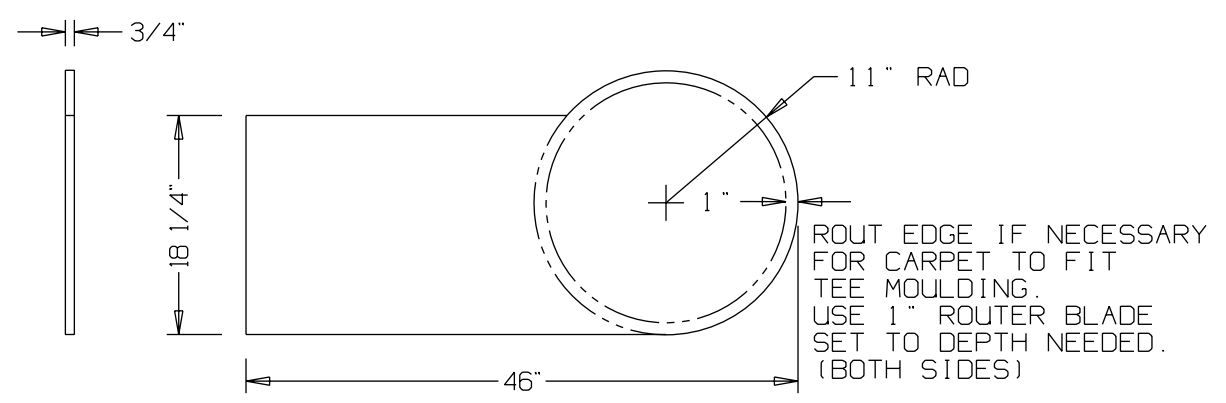
SIDE VIEW

<p>© 1995 Accelerated Christian Education, Inc. All rights reserved. Printed in the United States of America. This publication may not be reproduced in whole or in part in any form or by any means without permission from Accelerated Christian Education, Inc.</p>		
<p>ACCELERATED CHRISTIAN EDUCATION OPTIONAL STUDENT OFFICE</p>		
DWG. NO. 0008	REV. 950421-0	SHEET 2 OF 4

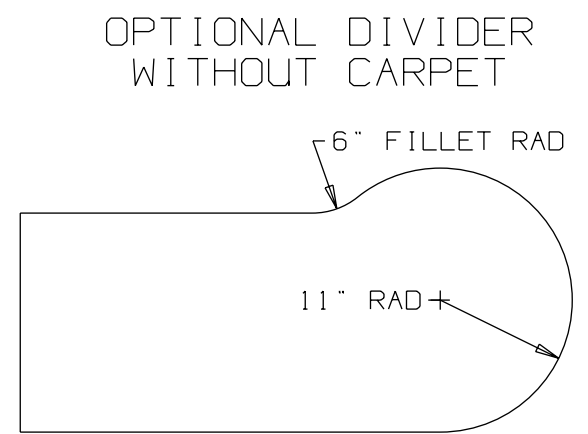


NOTE: USE MULTIPURPOSE GLUE SUCH AS LIQUID NAILS® TO BOND CARPET & MOULDING

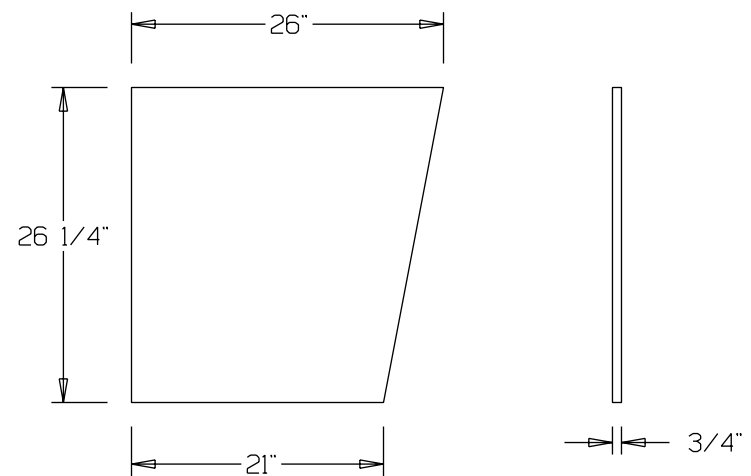
DETAIL A



DETAIL B



DETAIL C

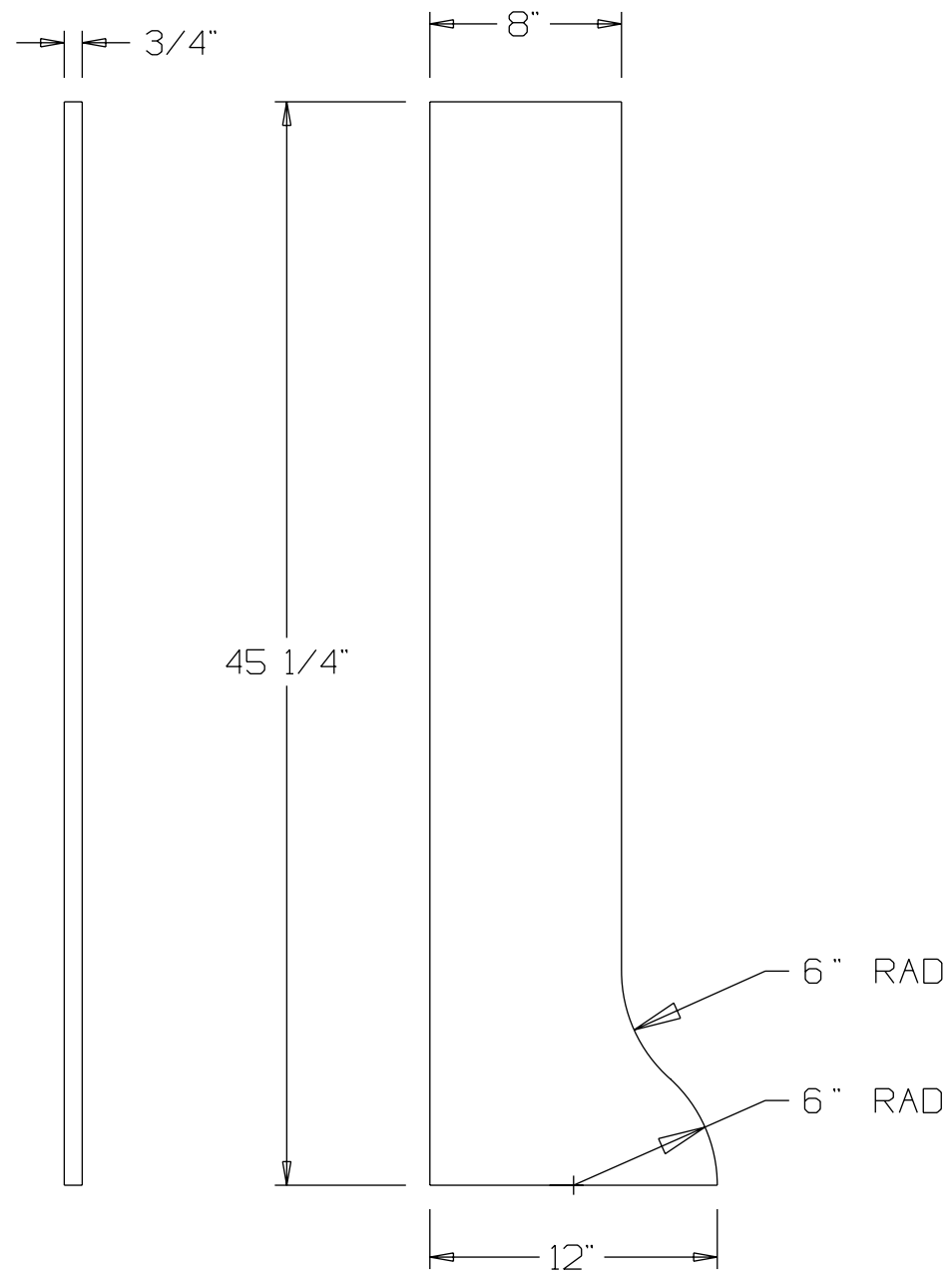


DETAIL D

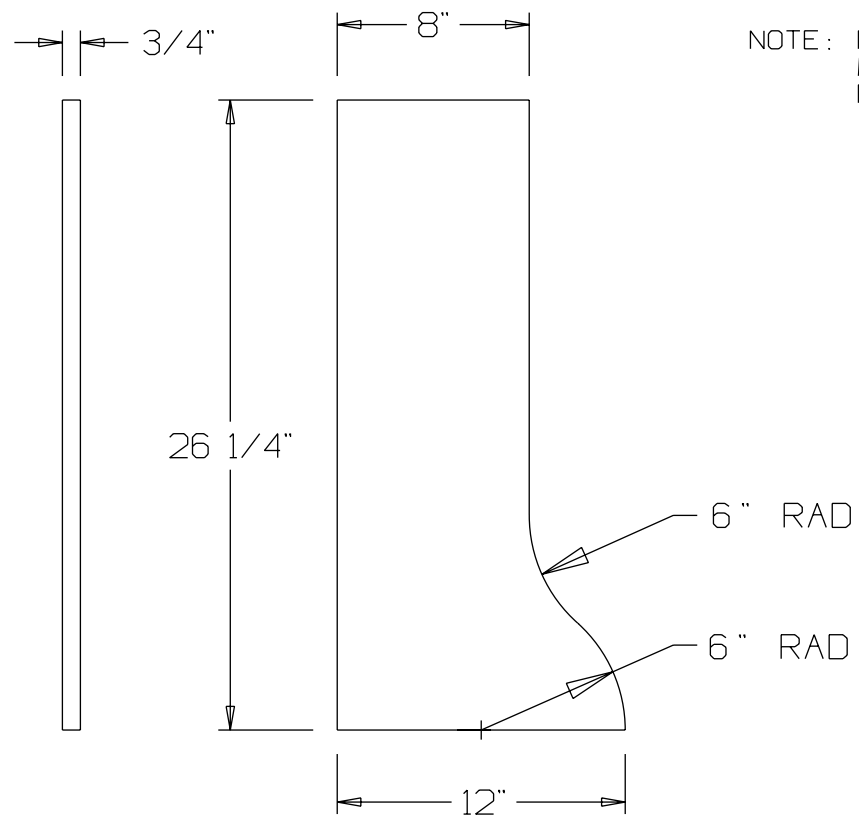
© 1995 Accelerated Christian Education, Inc.
All rights reserved. Printed in the United States of America.
This publication may not be reproduced in whole or in part in any form or by any means without permission from Accelerated Christian Education, Inc.

ACCELERATED CHRISTIAN EDUCATION
OPTIONAL STUDENT OFFICE
DETAIL DRAWINGS

DWG. NO. 0008	REV. 950331-0	SHEET 3 OF 4
------------------	------------------	-----------------

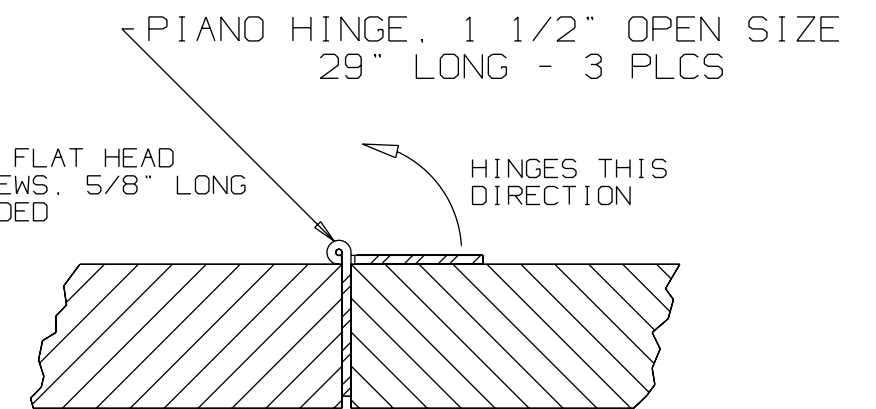


DETAIL E



DETAIL F

NOTE: PHILLIPS FLAT HEAD
MTG. SCREWS, 5/8" LONG
RECOMMENDED



PIANO HINGE MOUNTING

DETAIL G

© 1995 Accelerated Christian Education, Inc.
All rights reserved. Printed in the United States of America.
This publication may not be reproduced in whole or in part
in any form or by any means without permission from
Accelerated Christian Education, Inc.

ACCELERATED CHRISTIAN EDUCATION
OPTIONAL STUDENT OFFICE
DETAIL DRAWINGS

DWG. NO. 0008	REV. 950316-0	SHEET 4 OF 4
------------------	------------------	-----------------